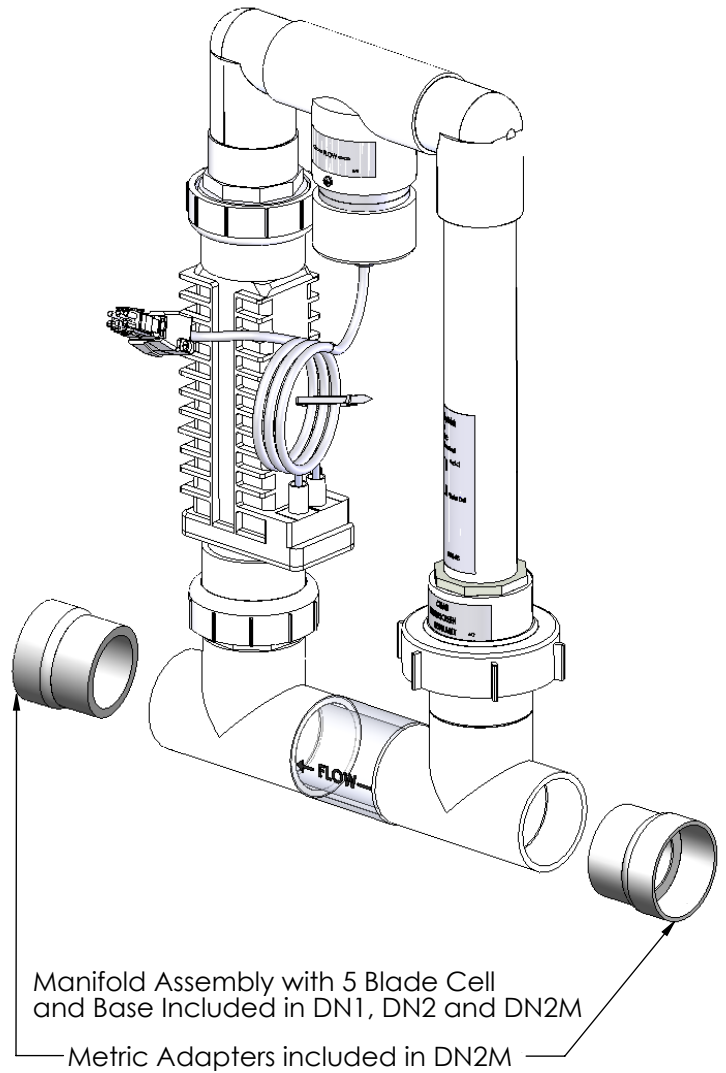
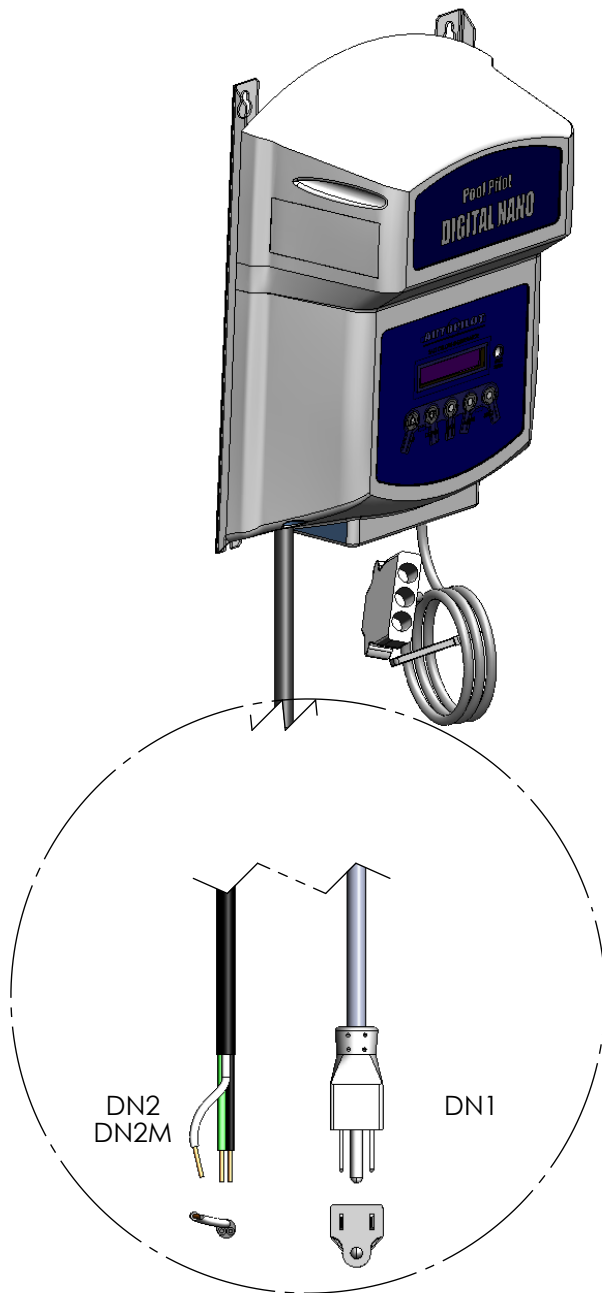


DIGITAL NANO SYSTEMS

Digital Nano

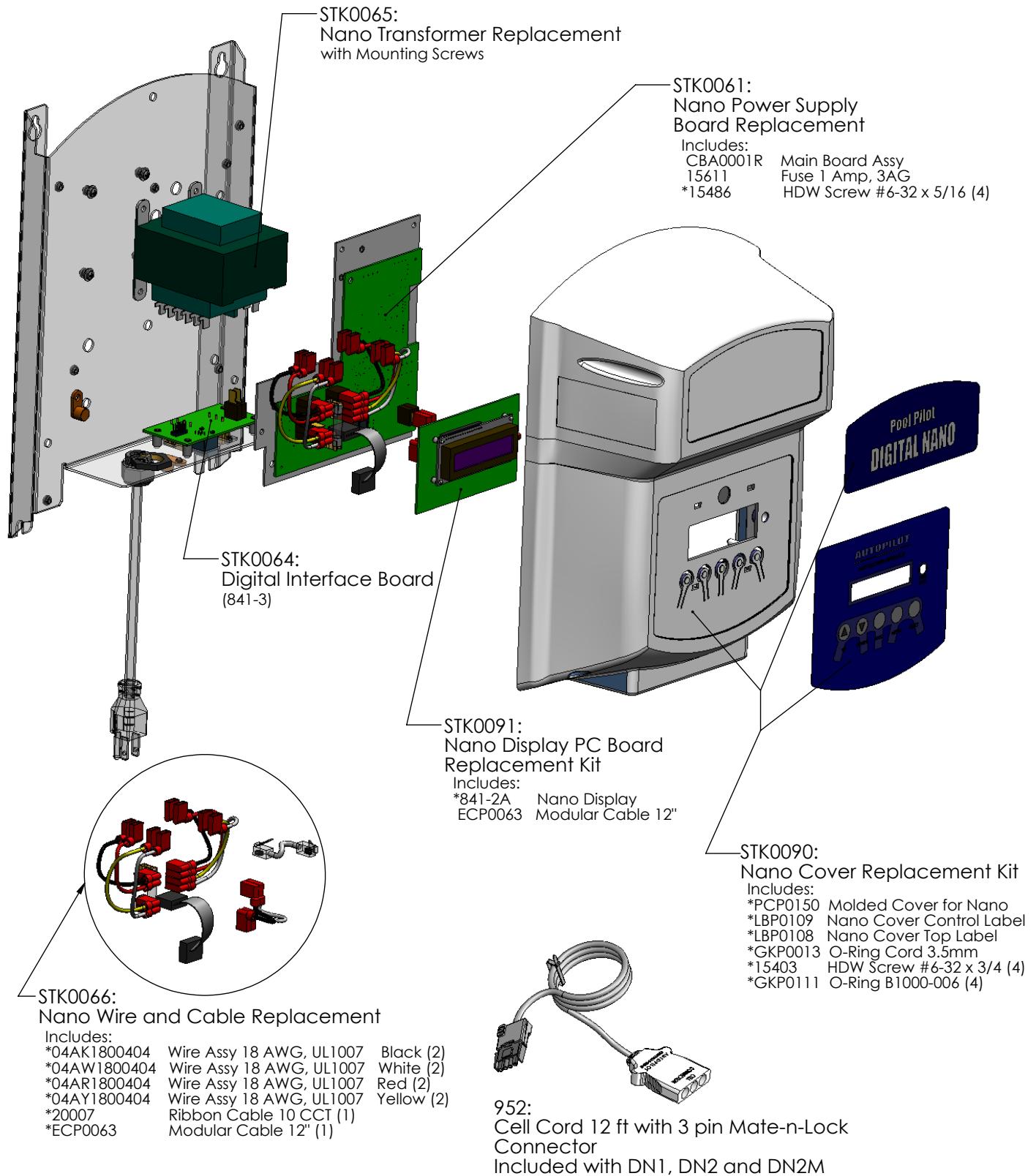


Digital Nano Systems

NANO TYPE	DESCRIPTION	CELL TYPE	DESCRIPTION
DN1	Digital Nano, 115V with 94105 Manifold	RC35/22	5 Blade Cell
DN2	Digital Nano, 220V with 94105 Manifold	RC35/22	5 Blade Cell
DN2M	Digital Nano, 220V CE with 94105M Manifold and Metric Adapters	RC35/22	5 Blade Cell

DIGITAL NANO Power Supply Parts

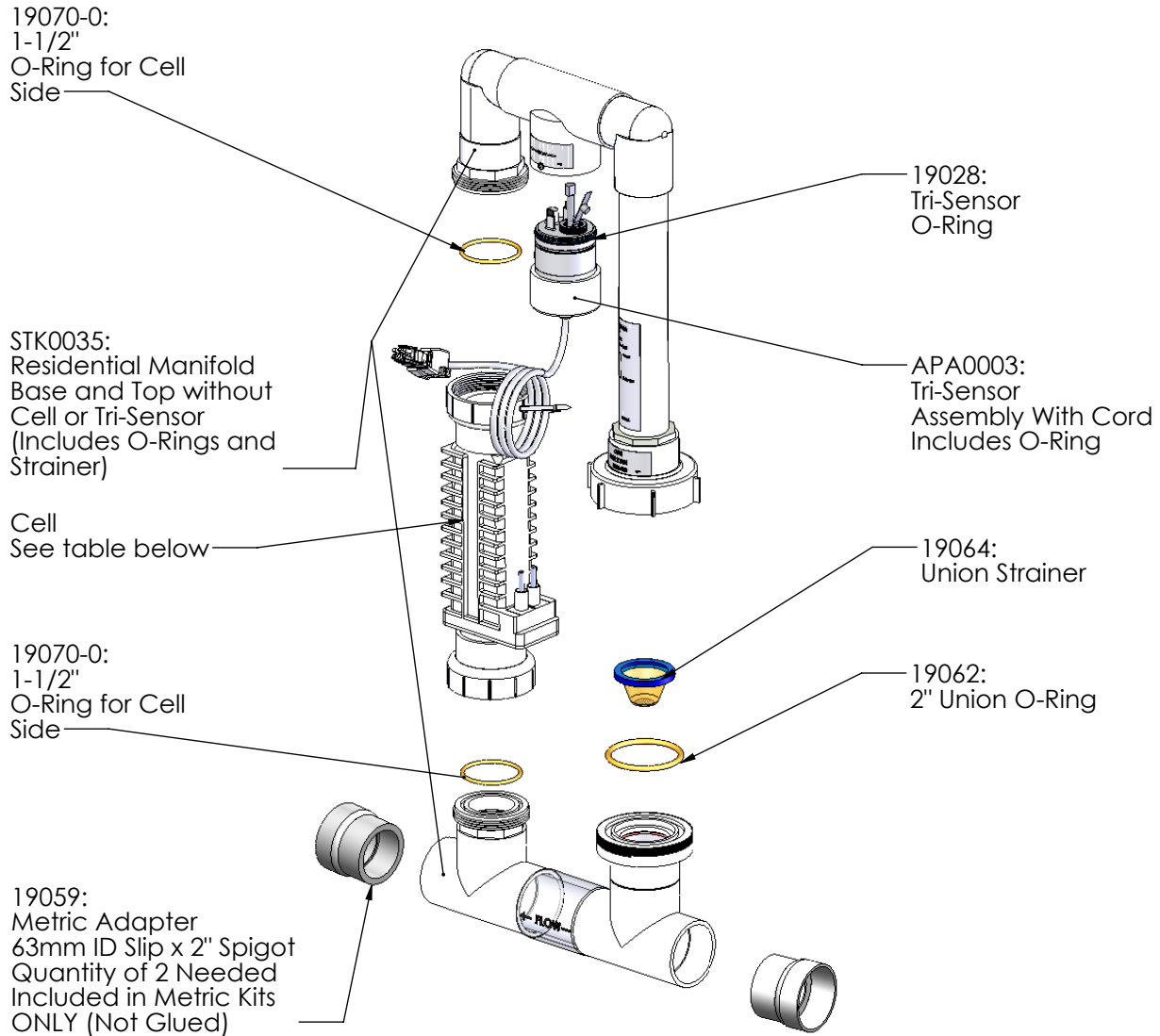
Digital Nano



*Cannot be ordered separately

SINGLE SYSTEM MANIFOLDS

Digital Nano

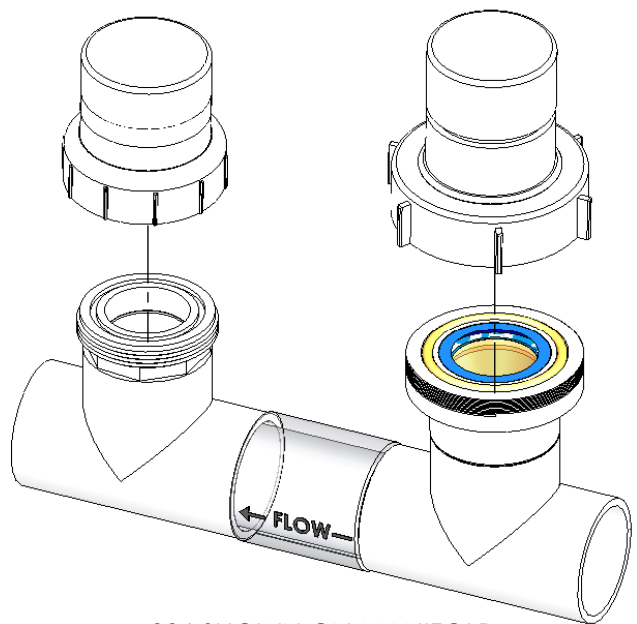
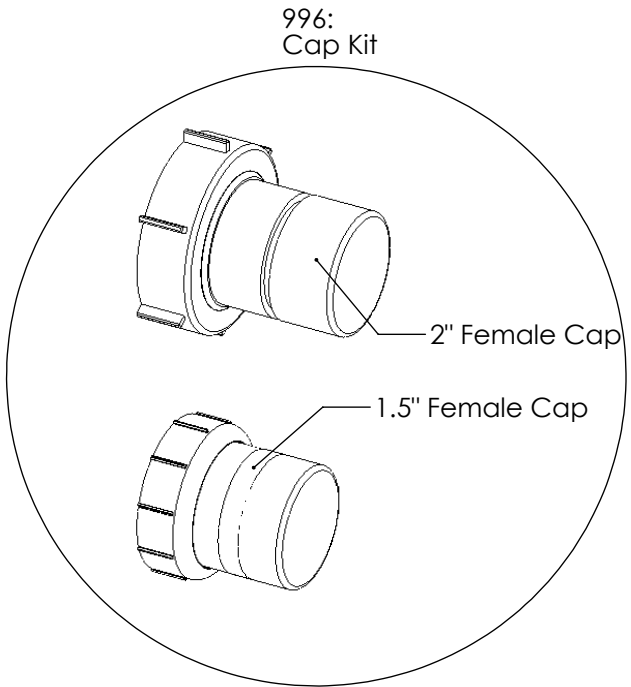
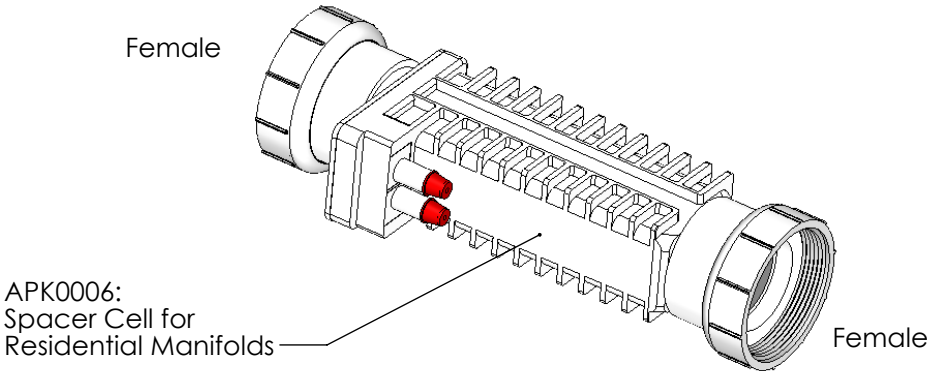


Single System Manifolds/Cells

MANIFOLD TYPE	DESCRIPTION	CELL TYPE	DESCRIPTION
94105	Manifold Assy with 5 Blade Cell	RC35/22	5 Blades
94105M	Manifold Assy with 5 Blade Cell with Metric Adapters	RC35/22	5 Blades

MANIFOLD ACCESSORIES/TOOLS

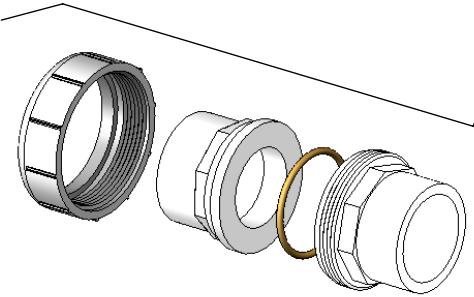
Digital Nano



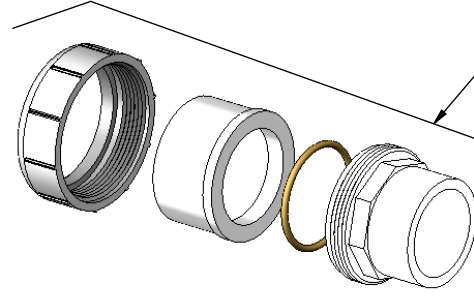
996 SHOWN ON MANIFOLD
BASE ASSEMBLY

MANIFOLD ACCESSORIES/TOOLS

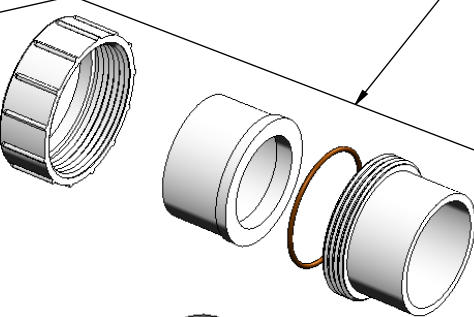
Digital Nano



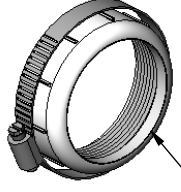
19073:
Union Kit
Includes:
312-A Union Nut
312-F Union Half, 2" Spigot/1.5" Slip X Female Union
19070-0 1-1/2" O-Ring
312-C Union Half, 1.5" Slip/2" Spigot x Male Thread Union



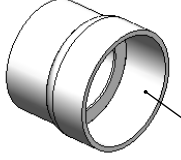
19070:
Union Kit
Includes:
312-A Union Nut
312-B Union Half, 2" Slip x Female Union
19070-0 1-1/2" O-Ring
312-C Union Half, 1.5" Slip/2" Spigot x Male Thread Union



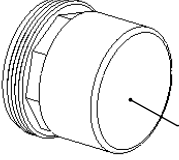
2627:
Union Kit
Includes:
312-A Union Nut
312-B Union Half, 2" Slip x Female Union
312-D Union Half, 2" Slip x Male Thread Union (with O-Ring 19069-0)



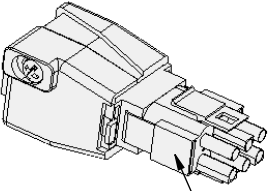
STK0048:
Cracked Union Nut
Service Kit



19059:
Metric Adapter
63mm ID Slip x 2" Spigot
Quantity of 2 Needed
Included in Metric Kits
ONLY (Not Glued)



PLA0113:
Cell Cleaning
Kit (Male)



986-ST:
Tri-Sensor Simulator
(Simulates APA0003)