



Operation Manual



Jandy[®] Underwater Pool and Spa White Lights

WARNING

FOR YOUR SAFETY - This product must be installed and serviced by a professional pool/spa builder or service technician. The procedures in this manual must be followed exactly. Failure to follow warning notices and instructions may result in property damage, serious injury, or death. Improper installation and/or operation will void the warranty. Before installing this product, read and follow all warning notices and instructions that accompany this light.

Table of Contents

Section 1. Safety Information.....	4	Section 4. Exploded View and Replacement	8
Section 2. Operating Instructions.....	5	Parts.....	8
2.1 To Operate the Light.....	5	4.1 Jandy Pool White Light.....	8
Section 3. Replacing The Lamp.....	5	4.2 Jandy Spa White Light.....	9

Figures and Tables

Figure 1. Removing the Pool and Spa White Light Assembly for Lamp Replacement.....	5	Table 1. Lamp Specifications.....	5
Figure 2. Alignment of the Lens, Face Ring, Housing and Clamps for Pool White Lights.....	7		
Figure 3. Jandy Pool White Light Exploded View.....	8		
Figure 4. Jandy Pool White Light, Front and Back View.....	8		
Figure 5. Cross Section of Jandy Pool White Light.....	8		
Figure 6. Jandy Spa White Light Exploded View.....	9		
Figure 7. Jandy Spa White Light, Front and Back View.....	9		
Figure 8. Cross Section of Jandy Spa White Light.....	9		

Section 1. Safety Information

IMPORTANT SAFETY INSTRUCTIONS PERTAINING TO A RISK OF FIRE, ELECTRIC SHOCK, OR INJURY TO PERSONS READ AND FOLLOW ALL INSTRUCTIONS

When installing and using this electrical equipment, basic safety precautions should always be followed, including the following:

WARNING

RISK OF ELECTRICAL SHOCK OR ELECTROCUTION. This underwater light must be installed by a licensed or certified electrician in accordance with the National Electrical Code in the US, the Canadian Electrical Code in Canada, and applicable local codes and ordinances. Improper installation will create an electrical hazard, which could result in death or serious injury to pool or spa users, installers, or others due to electrical shock, and may also cause damage to property. Read and follow the specific instructions below.

WARNING

Before installing this underwater light, read and follow all warning notices and instructions accompanying this light. Failure to follow safety warnings and instructions can result in severe injury, death, or property damage. Call (707) 776-8200 for additional free copies of these instructions.

CAUTION

Except when the Jandy Pool and Spa lights are installed in an area of the swimming pool that is not used for swimming and the lens is adequately guarded to keep any person from contacting it, the light shall be installed in or on a wall of the pool, with the top of the lens opening not less than 18 inches (457 mm) below the normal water level of the pool



ATTENTION INSTALLER: This manual contains important information about the installation, operation and safe use of this product. This information should be given to the owner/operator of this equipment.

NOTICE

The Jandy Pool and Spa lights are intended for installation in fresh water and non-fresh water swimming pools and spas. It is important to ensure that the wet niches in which the lights are installed are intended for their appropriate application, either fresh water or non-fresh water.

SAVE THESE INSTRUCTIONS

Section 2. Operating Instructions

2.1 To Operate the Light

Activate the light by either turning on the switch, setting a program, or by pushing the button on a pool and spa controller.

- Be sure to have the following items:
 - A new lens gasket (P/N R0451101 for Jandy Pool Light and P/N R0400501 for Jandy Spa Light).
 - One (1) new lamp. See Table 1 for specifications.

Section 3. Replacing The Lamp

⚠ WARNING

Always disconnect power to the pool or spa white light at the circuit breaker before servicing the light. Failure to do so could result in death or serious injury to installer, serviceman, pool or spa users or others due to electrical shock.

⚠ WARNING

Replace the lamp with one of the same type and wattage. Failure to replace the lamp with one of the same type will damage the light assembly and may cause an electrical hazard resulting in death or serious injury to pool or spa users, installers, or others due to electrical shock, and may also cause damage to property. Be sure the power is switched OFF before removing or installing lamps. Allow lamp to cool before replacing.

- Turn off the main electrical switch or circuit breaker, as well as the switch, which operates the underwater light.
- To remove the light assembly, unscrew the special pilot screw at the top of the face ring, remove light assembly from niche and gently place assembly on the deck. It is not necessary to drain down the pool or spa. See Figure 1.

Jandy Model	Fixture Voltage	Lamp Voltage	Lamp Wattage	Lamp Type	Qty. per Fixture	Lamp Kit Part Number
Pool/Spa White Light	12 Volt AC	12V	100 Watt	R20 Flood	1	R0450501
Pool White Light	120 Volt AC	120V	300 Watt	R40 Flood	1	R0450502
Pool White Light	12 Volt AC	12V	300 Watt	R40 Flood	1	R0450503
Pool White Light	120 Volt AC	120V	500 Watt	R40 Flood	1	R0450504
Spa White Light	120 Volt AC	120V	100 Watt	R20 Flood	1	R0450505

Table 1. Lamp Specifications

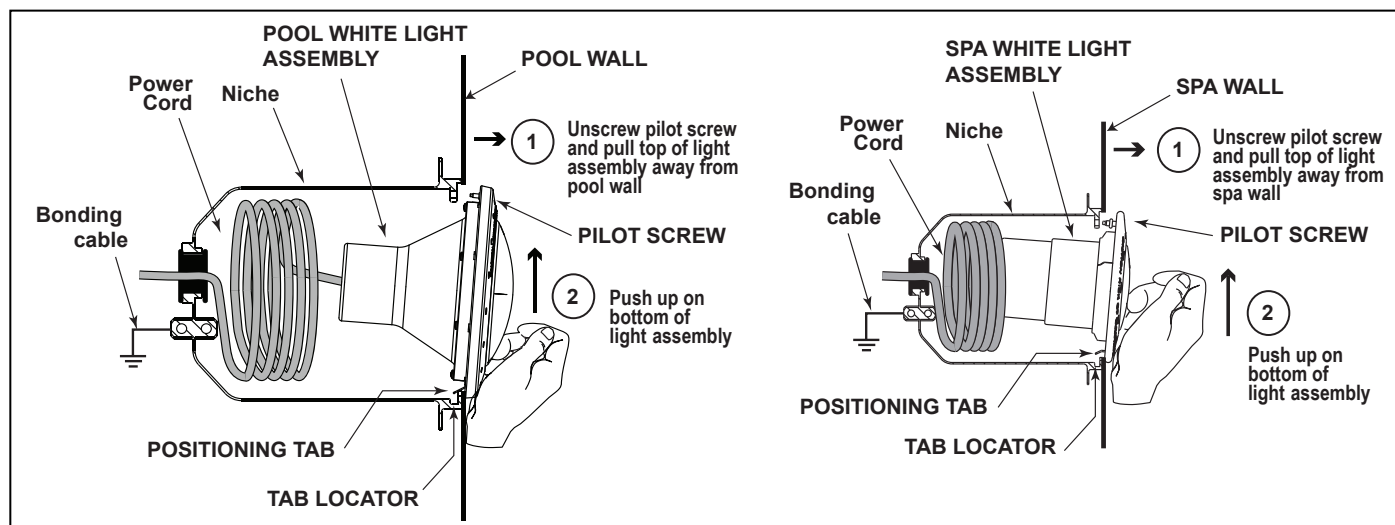


Figure 1. Removing the Pool and Spa White Light Assembly for Lamp Replacement

4. Disassemble the light fixture and replace lamp as follows:

⚠ WARNING

Be sure to keep the special pilot screw from this underwater light. This screw mounts and electrically grounds the housing securely to the mounting ring and wet niche. Failure to use the screw provided could create an electrical hazard, which could result in death or serious injury to pool or spa users, installers or others due to electrical shock.

- a. Loosen the eight (8) Phillips head screws for pool light or the six (6) Phillips head screws for spa light to allow the bottom clamp to be removed from the face ring assembly. Do not remove the screws or the retaining rings. The retaining rings prevent the screws from falling free from the top clamp and also aid in ease of assembly.
- b. Remove the lower clamp, the face ring assembly, the glass lens, and the gasket from the fixture. Remove the gasket from the lens. Refer to *Section 4, Exploded View and Replacement Parts*.
- c. Install new lamp.

⚠ WARNING

Risk of Electrical Shock or Electrocution. Always install a new lens gasket whenever disassembling the light (for **Jandy Pool Light Gasket** P/N R0451101 and for **Jandy Spa Light Gasket** P/N R0400501). Failure to do so may permit water to leak into the assembly, which could cause:

- (a) An electrical hazard resulting in death or serious injury to pool or spa users, installers, or others due to electrical shock, or
- (b) Breakage of the lamp or lens, which likewise could result in serious injury to pool or spa users, installers, or bystanders, or in damage to property.

5. Reassemble the fixture as follows:

- a. If not already done, remove the gasket from the glass lens and install a new gasket, **Jandy Pool Light Gasket** (P/N R0451101) and **Jandy Spa Light Gasket** (P/N R0400501), on the lens.

NOTE A new lens gasket must be used each time the light is reassembled.

- b. While holding the fixture upright, place the glass lens with the gasket on top of the fixture. Please note that the lens gasket is not symmetrical. Therefore, it must be installed correctly so that the lens can seal to the fixture housing. Place the gasket on the lens so that the thick molded side of the gasket will mate with the housing when the lens is installed. See Figure 11.
 - c. Position the lens and gasket on the fixture. Place the face ring and the top clamp over the lens and align the pilot screw with the small arrow mark on the face of the lens. Note that the small arrow mark on the face of the lens and the pilot screw of the face ring must be aligned with the arrow located on fixture label that reads, "Arrow on this label must line up with the pilot screw on the Face Ring". See Figure 2.
 - d. While holding the aligned face ring assembly and fixture together, turn the assembly upside down and set it on the old gasket, using the old gasket as an assembly fixture. This will keep the lens and gasket assembly from being pushed out of the face ring while you secure it to the light fixture.
 - e. Spread the bottom clamp over the electrical cord and slide it onto the back of fixture to the top clamp. See Figure 2.
 - f. Tighten the eight (8) Phillips head screws for pool light or the six (6) Phillips head screws for spa light in alternating cross-pattern. Torque screws to approximately 20 in-lbs. Do not over-tighten.
 - g. Discard the old gasket.
6. Reinstall the Jandy Light into niche fixture.
- a. Coil four (4) feet of cord around the fixture and place the light assembly into the niche.
 - b. Engage the retainer tab on the bottom of the face ring, then pivot the top of the fixture inward and tighten the special pilot screw.

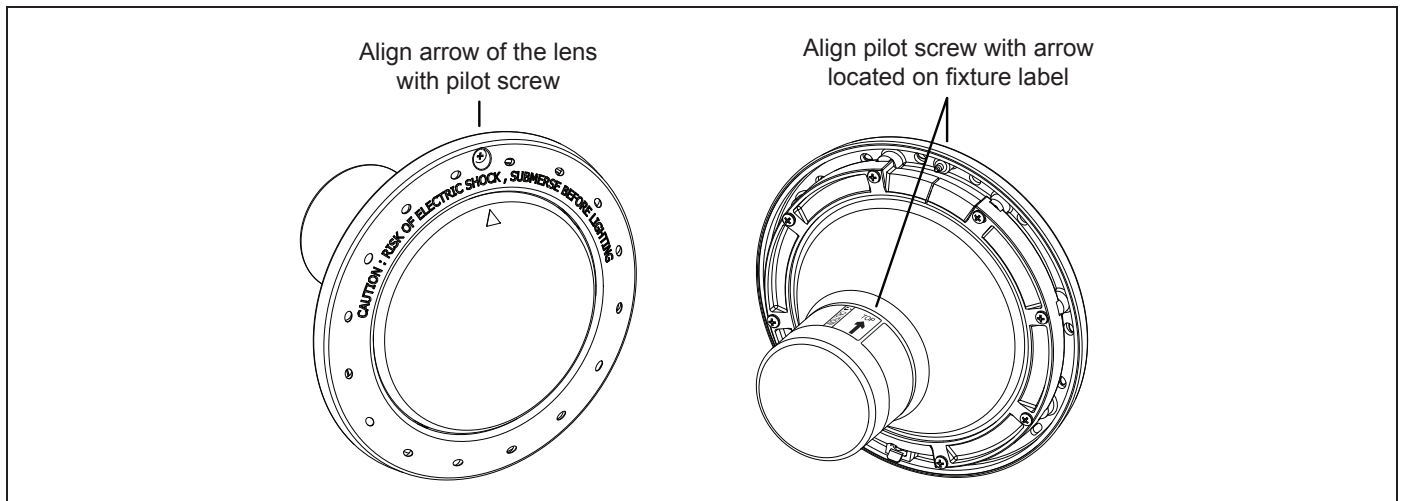


Figure 2. Alignment of the Lens, Face Ring, Housing and Clamps for Pool White Lights

⚠ WARNING

Use only the special pilot screw provided with this underwater light. This screw mounts and electrically grounds the housing securely to the mounting ring and wet niche. Failure to use the screw provided could create an electrical hazard, which could result in death or serious injury to pool or spa users, installers or others due to electrical shock.

7. If pool or spa is empty, fill pool or spa until the underwater light is completely submerged in water before operating the light for more than 10 seconds. Turn on main switch or circuit breaker, as well as the switch, which specifically operates the underwater light, to check for proper operation.

⚠ WARNING

Never operate this underwater light for more than 10 seconds unless it is totally submerged in water. Without total submersion, the light assembly will get extremely hot, which may result in serious burns or in breakage of the lamp or lens. This may result in serious injury to pool or spa users, installers, or bystanders or in damage to property.

Section 4. Exploded View and Replacement Parts

4.1 Jandy Pool White Light

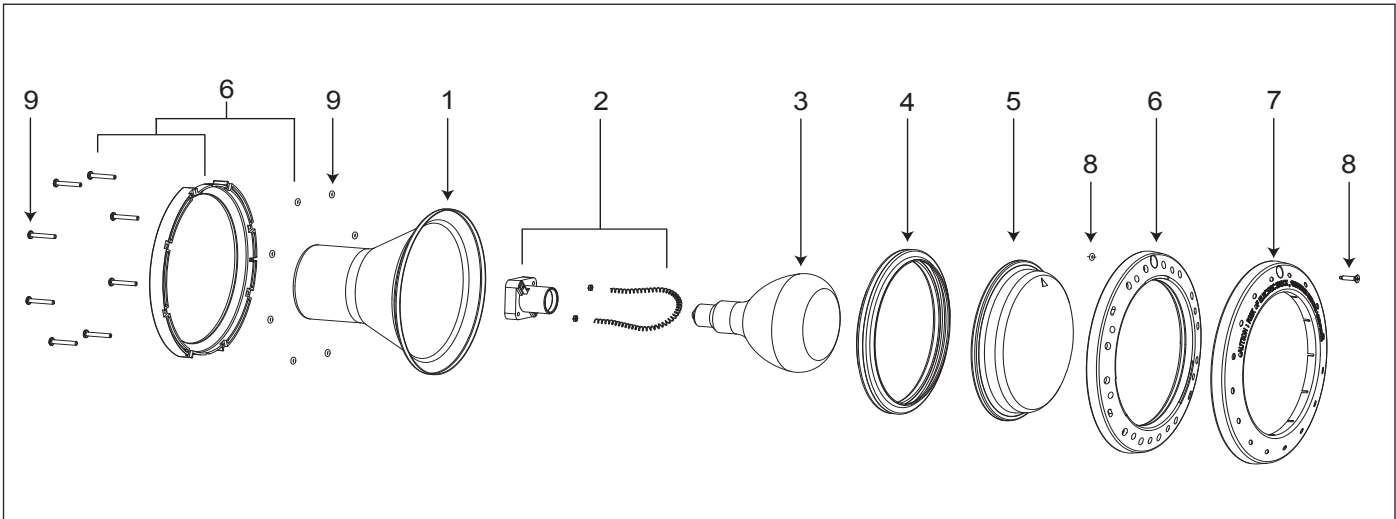


Figure 3. Jandy Pool White Light Exploded View

DWG #	Part #	Description	Field Replaceable
1	N/A	Pool Light Housing	NO - Purchase New Light
2	N/A	Lamp Holder	NO - Purchase New Light
3	R0450501	Lamp, 100 Watt, 12 Volt	YES
3	R0450502	Lamp, 300 Watt, 120 Volt	YES
3	R0450503	Lamp, 300 Watt, 12 Volt	YES
3	R0450504	Lamp, 500 Watt, 120 Volt	YES
4	R0451101	Silicone Gasket, Pool Light	YES
5	R0450601	Glass Lens, Pool Light	YES
6	R0450701	Clamp Assembly, Pool Light	YES
7	R0450801	Face Ring, Stainless Steel (SS), Pool Light	YES
7	R0450802	Face Ring, Plastic, White, Pool Light	YES
7	R0450803	Face Ring, Plastic, Black, Pool Light	YES
7	R0450804	Face Ring, Plastic, Gray, Pool Light	YES
7	R0450805	Face Ring, Plastic Set, Pool Light	YES
8	R0450901	Pilot Screw, with Retainer, Pool Light	YES
9	R0451001	Clamp Screw (8 Screws and 8 Retainers) Pool Light	YES

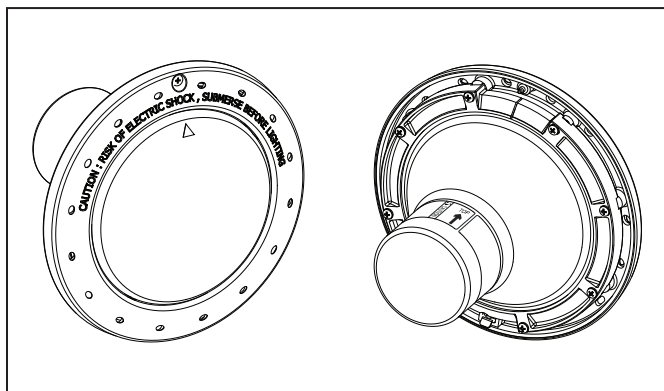


Figure 4. Jandy Pool White Light, Front and Back View

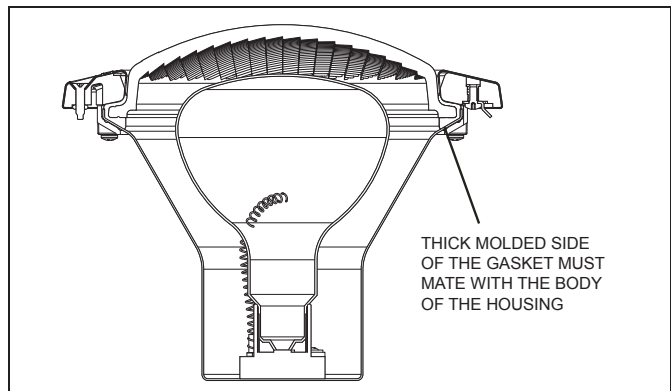


Figure 5. Cross Section of Jandy Pool White Light

4.2 Jandy Spa White Light

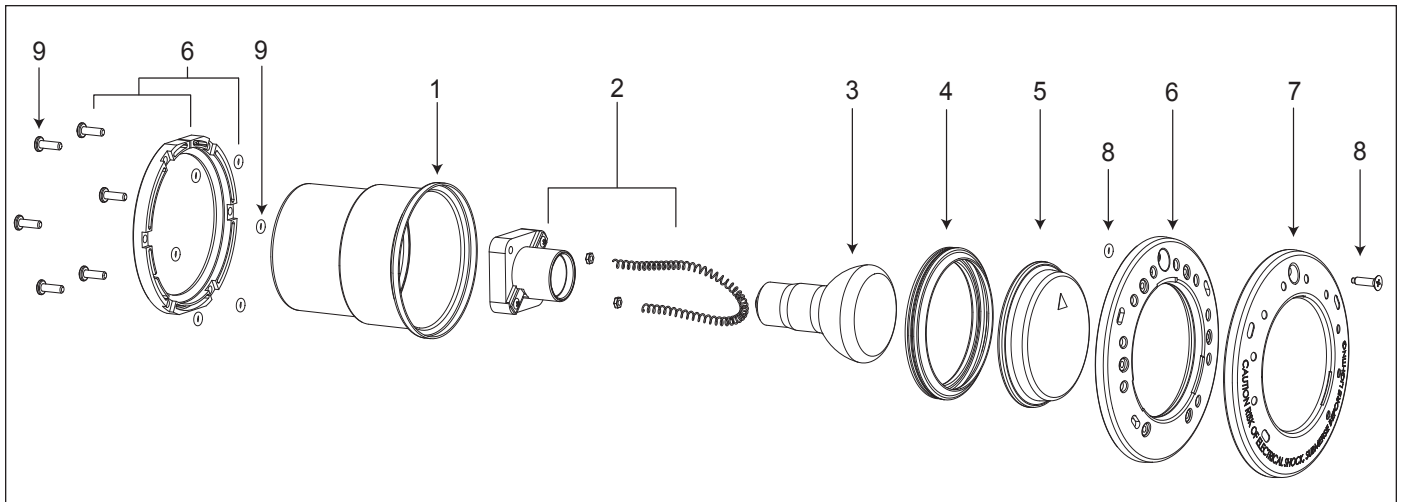


Figure 6. Jandy Spa White Light Exploded View

DWG #	Part #	Description	Field Replaceable
1	N/A	Spa Light Housing	NO - Purchase New Light
2	N/A	Lamp Holder	NO - Purchase New Light
3	R0450501	Lamp, 100 Watt, 12 Volt	YES
3	R0450505	Lamp, 100 Watt, 120 Volt	YES
4	R0400501	Silicone Gasket, Spa Light	YES
5	R0400601	Glass Lens, Spa Light	YES
6	R0451201	Clamp Assembly, Spa Light	YES
7	R0451301	Face Ring, Stainless Steel (SS), Spa Light	YES
7	R0451302	Face Ring, Plastic, White, Spa Light	YES
7	R0451303	Face Ring, Plastic, Black, Spa Light	YES
7	R0451304	Face Ring, Plastic, Gray, Spa Light	YES
7	R0451305	Face Ring, Plastic Set, Spa Light	YES
8	R0450901	Pilot Screw, with O-ring, Spa Light	YES
9	R0451401	Clamp Screw (6 Screws and 6 Retainers) Spa Light	YES

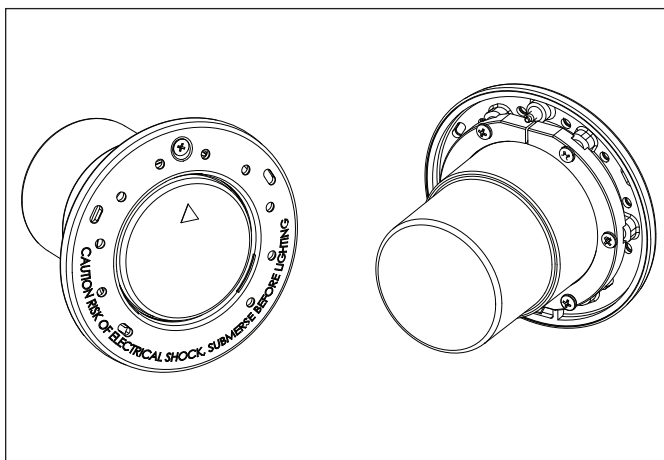


Figure 7. Jandy Spa White Light, Front and Back View

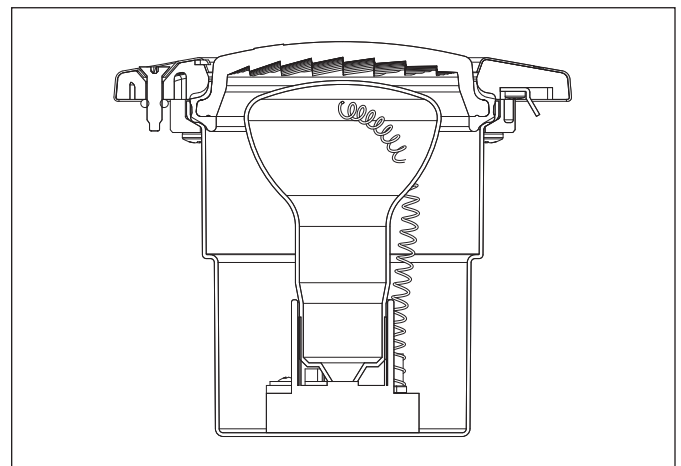


Figure 8. Cross Section of Jandy Spa White Light

NOTES

NOTES

LIMITED WARRANTY

Thank you for purchasing Jandy® pool and spa products. Jandy Pool Products, Inc. warrants all parts to be free from manufacturing defects in materials and workmanship for a period of one (1) year from the date of retail purchase, with the following exceptions:

- AquaLink® RS units installed with Jandy Surge Protection Kits will be covered for two (2) years.
- Never Lube® valves are warranted for the life of pool and/or spa on which they were originally installed.
- AquaPure® Electronic Chlorine Generator Electrolytic Cells carry a five (5) year limited warranty on a prorated basis.

This warranty is limited to the first retail purchaser, is not transferable, and does not apply to products that have been moved from their original installation sites. The liability of Jandy Pool Products, Inc. shall not exceed the repair or replacement of defective parts and does not include any costs for labor to remove and reinstall the defective part, transportation to or from the factory, and any other materials required to make the repair. This warranty does not cover failures or malfunctions resulting from the following:

1. Failure to properly install, operate or maintain the product(s) in accordance with our published Installation, Operation and Maintenance Manuals provided with the product(s).
2. The workmanship of any installer of the product(s).
3. Not maintaining a proper chemical balance in your pool and/or spa [pH level between 7.2 and 7.8, Total Alkalinity (TA) between 80 to 120 ppm, Total Dissolved Solids (TDS) less than 2000 not including salt ppm].
4. Abuse, alteration, accident, fire, flood, lightning, rodents, insects, negligence or acts of God.
5. Scaling, freezing, or other conditions causing inadequate water circulation.
6. Operating the product(s) at water flow rates outside the published minimum and maximum specifications.
7. Use of non-factory authorized parts or accessories in conjunction with the product(s).
8. Chemical contamination of combustion air or improper use of sanitizing chemicals, such as introducing sanitizing chemicals upstream of the heater and cleaner hose or through the skimmer.
9. Overheating; incorrect wire runs; improper electrical supply; collateral damage caused by failure of O-Rings, DE grids, or cartridge elements; or damage caused by running the pump with insufficient quantities of water.

LIMITATION OF LIABILITY:

This is the only warranty given by Jandy Pool Products, Inc. No one is authorized to make any other warranties on behalf of Jandy Pool Products, Inc. **THIS WARRANTY IS IN LIEU OF ALL OTHER WARRANTIES, EXPRESSED OR IMPLIED, INCLUDING BUT NOT LIMITED TO ANY IMPLIED WARRANTIES OF FITNESS FOR A PARTICULAR PURPOSE AND MERCHANTABILITY. JANDY POOL PRODUCTS, INC. EXPRESSLY DISCLAIMS AND EXCLUDES ANY LIABILITY FOR CONSEQUENTIAL, INCIDENTAL, INDIRECT OR PUNITIVE DAMAGES FOR BREACH OF ANY EXPRESSED OR IMPLIED WARRANTY.** This warranty gives you specific legal rights. You may also have other rights that vary by state or province.

WARRANTY CLAIMS:

For prompt warranty consideration, contact your dealer and provide the following information: proof of purchase, model number, serial number and date of installation. The installer will contact the factory for instructions regarding the claim and to determine the location of the nearest designated service center. If the dealer is not available, you can locate a service center in your area by visiting www.jandy.com or by calling our technical support department at (707) 776-8200 extension 260. All returned parts must have a Returned Material Authorization number to be evaluated under the terms of this warranty.



ETL LISTED
CONFORMS TO
UL STD 676

Certified to CAN/CSA
C22.2 No. 89

6000 Condor Drive, Moorpark, CA, USA 93021 • 707.776.8200 FAX 707.763.7785

Litho in U.S.A. © 2007 Jandy Pool Products, Inc. 0712

For technical support call 707-776-8200, ext. 260