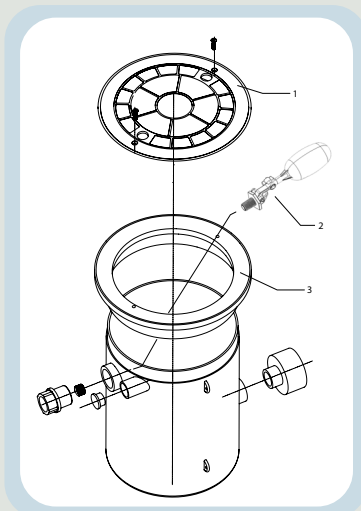


# Water Leveler

## Auto Water Leveler



- All Plastic Worry-Free Float Valve
- Easy to Install
- 3/4" or 1/2" Water Inlet
- Bottom Port is 1" Socket
- 1-1/2" & 2" Adapters Included



### Auto Water Leveler, Round Lid

1 per box

- 25504-100 White Lid & Collar
- 25504-101 Gray Lid & Collar
- 25504-109 Tan Lid & Collar

### Auto Water Leveler, Square Lid NEW!

(Square Lid & Collar Float Over Body)

1 per box

- 25504-300 White Lid & Collar
- 25504-301 Gray Lid & Collar
- 25504-309 Tan Lid & Collar

### Thermoplastic Float Assembly

- 25504-000-100



Replacement Parts on Page A53