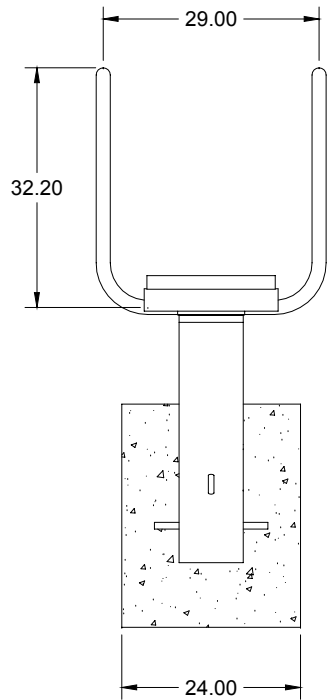
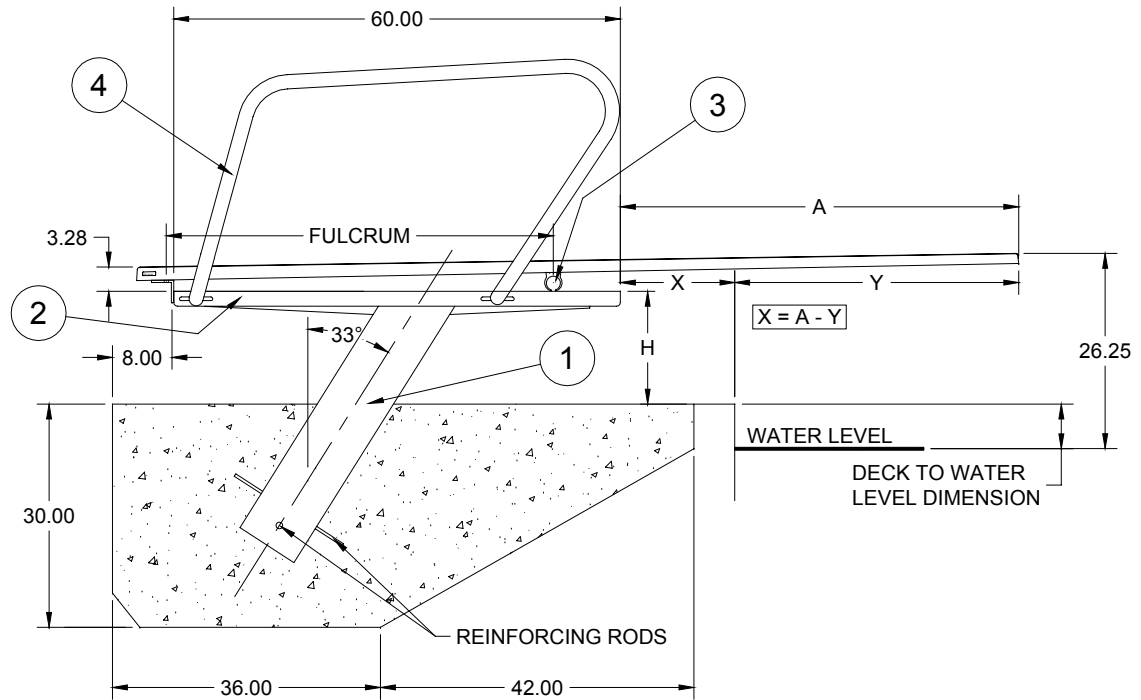


2/3-Meter Deck Level Diving Stand (8' & 10' Boards)



HEEL VIEW



SIDE VIEW

NOTE:
 Diving boards (including spring boards, jump boards, and starting platforms) shall be installed only on pools meeting or exceeding the minimum requirements for the various pool types as outlined in the current edition of ANSI/NSPI-1 (for Public Pools). In addition, all installations must meet or exceed applicable local codes with installation accomplished in accordance with S.R. SMITH written instructions.

DIVING BOARD	FULCRUM SETTING	A	TOP OF TRAY ABOVE DECK H
8'	40"	29.5"	20" MINUS DECK TO WATER LEVEL DIMENSION
10'	52"	53.5"	

ALL CONCRETE DIMENSIONS ARE MINIMUM

Specification Number:	SRS-408		
Product Description:	2/3-Meter Deck Level Diving Stand (8' & 10' Boards)		
S.R. Smith Part Number:	DLS-100	Scale:	NTS
Revision:	A	Date:	04/29/03
Written By:	T. Weil	Date:	04/29/03
Approved By:	B. Bisceglia	Date:	05/05/03
Page 1 of 2	Proprietary and confidential: The information contained in this specification is the sole property of S.R. Smith LLC. Any reproduction in part or whole without the written consent of S.R. Smith LLC is prohibited.		

S.R. Smith, LLC
 P.O. Box 400, 1017 SW Berg Parkway
 Canby, Oregon 97013
 Tel: (888) 677-7776 (503) 266-2231
 Fax: (503) 266-4334
 www.srsmith.com



S.R. Smith LLC Commercial Division

Product Specifications - Written

Product Name: 2/3-Meter Deck Level Diving Stand (8' & 10' Boards)

Part Number: DLS-100

General Notes:

The **2/3-Meter Deck Level Diving Stands** measure .66 meter (26") from the top of a properly installed board to water surface and is designed for moderate to heavy-duty use on commercial pools. All steel components are constructed from carbon steel and are primed ready for paint topcoat. Handrails are not required for 2/3-meter stands however their use is strongly encouraged. The DLS-100 stand is to be used with 8' (2.44m) or 10' (3.05m) boards.

Application:

Depending upon installation design and local codes, these models are suitable for use on commercial pools. Site and installation requirements will determine the actual stand sizes and board lengths.

Specifications:

- 1 **Support Column:** The support column is constructed of 8" dia. x .25 wall (203.20mm x 6.4) schedule 20, carbon steel pipe. It slopes 33° from vertical and mounts directly into the pool deck and is primed and ready for topcoat.
- 2 **Tray:** The tray is formed from carbon steel and is 1/4" x 9" wide x 60" long (6.35mm x 228.60 x 1524.00). The tray has two 6" (152.40mm) slots for fulcrum adjustment. A tie down angle made of 5/16 x 3 x 18 long (7.94mm x 76.20 x 457.20) is welded to the heel end of the tray and has two 9/16" (14.28mm) drilled holes on 12" (304.80mm) centers for mounting the diving board. 1/4" (6.35mm) carbon steel plate gussets are used in the front and rear of the tray for additional support. The assembly is primed and ready for topcoat.
- 3 **Fulcrum:** The fulcrum for the 2/3-Meter Stand is made of 1-1/2" (38.10mm) schedule 40 carbon steel and is 20" (508.00) long. A white rubber cover slides over the fulcrum. Two 3/8" (9.53mm) diameter studs on 6" (152.40mm) centers are welded to the pipe for securing to tray.
- 4 **Handrails** (p/n 25-104): The handrail used on this stand is constructed of 1.90" O.D. x .065 wall (48.25mm x 1.65) type 304 stainless steel (order separately).

Additional Product Numbers: N/A

Shipping weight: 130 lbs (59.0kg)

Specification Number:	SRS-408		S.R. Smith, LLC P.O. Box 400, 1017 SW Berg Parkway Canby, Oregon 97013 Tel: (888) 677-7776 (503) 266-2231 Fax: (503) 266-4334 www.srsmith.com
Product Description:	2/3-Meter Deck Level Diving Stand (8' & 10' Boards)		
S.R. Smith Part Number:	DLS-100		
Revision:	A	Date: 04/29/03	
Written By:	T. Weil	Date: 04/29/03	
Approved By:	B. Bisceglia	Date: 05/05/03	
Page 2 of 2	Proprietary and confidential: The information contained in this specification is the sole property of S.R. Smith LLC. Any reproduction in part or whole without the written consent of S.R. Smith LLC is prohibited.		