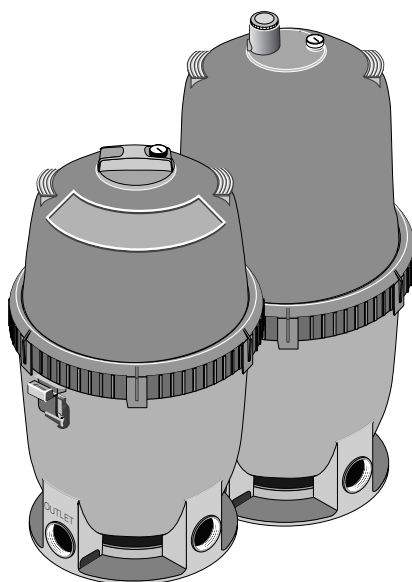


STA-RITE®

System 2™ Modular Media Filters

O W N E R ' S M A N U A L



INSTALLATION, OPERATION & PARTS

PLM100

PLM125

MODELS

PLM150

PLM175

PLM200

PLM300



This manual should be furnished to the end user of this filter; its use will reduce service calls and chance of injury and will lengthen filter life.

Sta-Rite Pool/Spa Group

293 Wright Street, Delavan, WI 53115

International: 262-728-5551, FAX: 262-728-7550

www.starite.com

Union City, TN • Delavan, WI • Mississauga, Ont. • Murrieta, CA

U.S. PATENT NO. 5190651 (Other patents pending)

E
N
G
L
I
S
H

F
R
A
N
Ç
A
I
S

E
S
P
A
Ñ
O
L

Table of Contents

Safety Instructions	2
General Information	3
Specifications	4
Installation	5
Initial Startup	6
Filter Disassembly / Assembly	6-7
Module Cleaning Procedure	7-8
Special Cleaning Instruction	8
System Inspection/Winterizing	9
Troubleshooting Guide	10
Repair Parts List	11
Warranty	12

READ AND FOLLOW SAFETY INSTRUCTIONS!

⚠ This is the safety alert symbol. When you see this symbol on your filter or in this manual, look for one of the following signal words and be alert to the potential for personal injury.

⚠ DANGER warns about hazards that **will** cause death, serious personal injury, or major property damage if ignored.

⚠ WARNING warns about hazards that **can** cause death, serious personal injury, or major property damage if ignored.

⚠ CAUTION warns about hazards that **will** or **can** cause minor personal injury or property damage if ignored.

NOTICE indicates special instructions not related to hazards.

Carefully read and follow all safety instructions in this manual and on equipment. Keep safety labels in good condition; replace if missing or damaged.

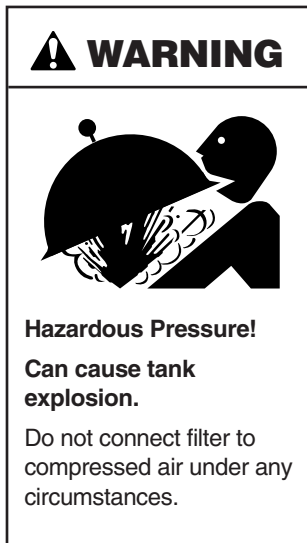
⚠ WARNING **Hazardous pressure** **Incorrectly installed or tested equipment may fail, causing severe injury or property damage.** Read and follow instructions in owner's manual when installing and operating equipment. Have a trained pool professional perform all pressure tests.

1. Do not connect system to a city water system or other external source of pressurized water.
2. Use equipment only in a pool or spa installation.
3. Trapped air in system can cause explosion. **BE SURE** all air is out of system before operating or testing equipment.

Before pressure testing, make the following safety checks:

- Check all clamps, bolts, lids, lock rings and system accessories before testing.
- Release all air in system before testing.
- Tighten Sta-Rite pump trap lids to 30 ft. lbs. (4.1 kg-cm) torque for testing.
- Water pressure for test must be less than 25 PSI (172 kPa).
- Water Temperature for test must be less than 100° F. (38° C).
- Limit test to 24 hours. After test, visually check system to be sure it is ready for operation. Remove pump trap lid and retighten hand tight only.

NOTICE: These parameters apply to Sta-Rite equipment only. For non-Sta-Rite equipment, consult equipment manufacturer.



GENERAL INFORMATION

- Clean a new pool as well as possible before filling pool and operating filter. Excess dirt and large particles of foreign matter in the system can cause serious damage to the filter and pump.
- With a permanent media filter in place and operating correctly, clean water is returned to the pool faster than pool water is being contaminated. A typical pool installation will require approximately one week to obtain and maintain the sparkle that your filter is capable of giving you.
- Maximum pressure is 50 PSI (345 kPa). DO NOT connect the filter to a city water system or to an individual water well system.

▲ WARNING Hazardous pressure. Open air release valve to vent all air from system before operating system. NEVER operate filter with air trapped inside.

- The Sta-Rite modular media filter is designed to filter water for swimming pools and spas. On a new installation, we recommend:

1. Disassemble the filter after the initial cleanup.

▲ WARNING Hazardous pressure. To prevent severe injury or major property damage, exactly follow "Filter Disassembly/Assembly Procedure" on Pages 6 and 7.

2. Remove and hose down the element assembly to remove contaminants.

- Maintain pool water pH between 7.2 and 7.6.
- Make sure that internal air bleed tube and filter are clean and installed properly at top of module before operating filter.
- Make sure that Posi-Lok™ Ring is securely locked in place before operating filter.
- Maintain pressure gauge in good working order. Replace a damaged gauge immediately.
- Cleaning interval is based on pressure rise, not on length of time filter is operated. Different water conditions will have different normal cleaning intervals.
- Check local codes for restrictions on waste water disposal requirements.

NOTICE: Some pool disinfectants may clog filter module. To maximize module life and filter cycle time, closely follow disinfectant manufacturer's instructions when cleaning pool or filter. Failure to follow these instructions may affect warranty coverage of the module.

Owner's Information

Serial Number _____

Dealer _____

Dealer's Telephone # _____

Purchase Date _____

Installation Date _____

Pressure Gauge Reading at Startup _____

When to Clean the Filter

The filter module should normally be cleaned when the pressure gauge reading increases 10 PSI over the start-up pressure (record the start-up pressure under "Owner's Information", below, right).

In some pools, accessories such as fountains or pool cleaners may be noticeably affected by the normal decrease in flow as the filter becomes dirty. If so, clean the filter more frequently (that is, at a pressure increase of less than 10 PSI) in order to maintain the required flow.

▲ WARNING



Risk of drowning and falls. Place equipment at least 4 feet from pool so that children cannot climb over it into pool.

Do not allow children to stand or play on filter or pump.

SPECIFICATIONS

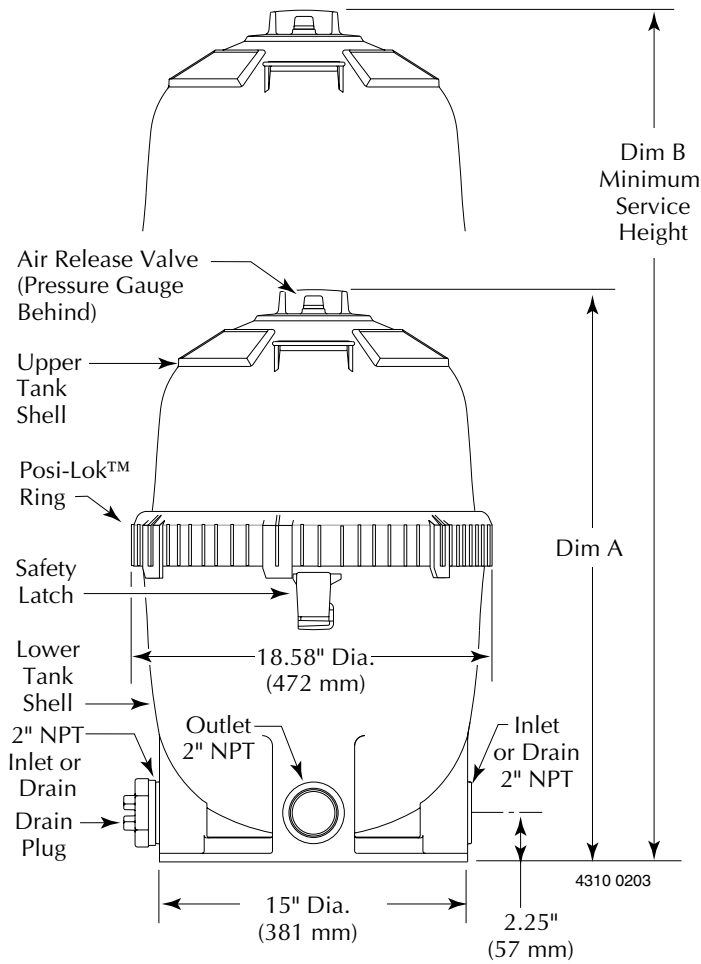


FIGURE 1A – Dimensions in inches (mm)

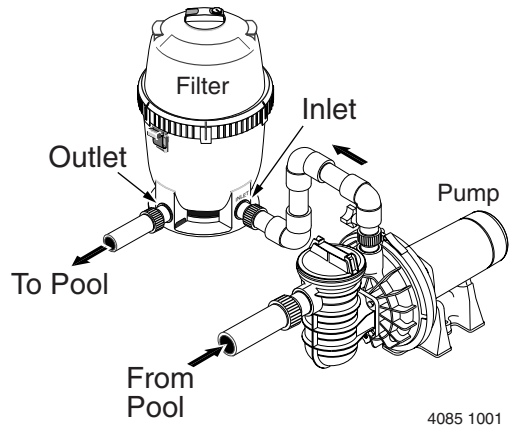


FIGURE 1B – Piping Connections

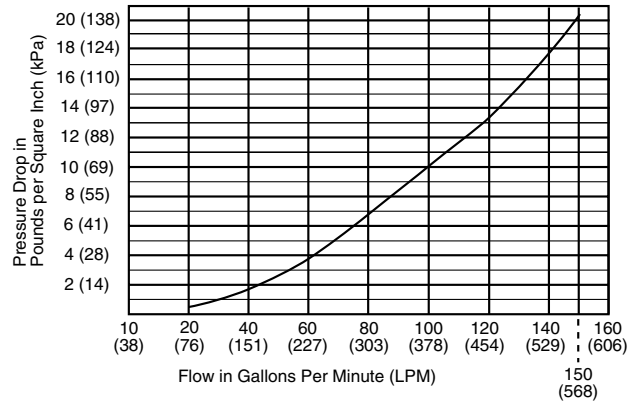


FIGURE 2 – Pressure Drop Curve

Table 1 - Filter Specifications

	Model No.					
	PLM100	PLM125	PLM150	PLM175	PLM200	PLM300
Filter Area sq. ft. (m ²)	100(9.3)	125(11.6)	150(14)	175(16.3)	200(18.6)	300(27.9)
Max. Rated Flow GPM (LPM)						
Commercial	37(140)	47(178)	56(212)	66(249)	75(284)	113(428)
Max. Operating Pressure PSI (kPa)	50(345)	50(345)	50(345)	50(345)	50(345)	50(345)
Max. Continuous Water Temperature F(C)	104°(40°)	104°(40°)	104°(40°)	104°(40°)	104°(40°)	104°(40°)
Dimension A – Height (mm)	27-3/4(705)	27-3/4(705)	27-3/4(705)	27-3/4(705)	27-3/4(705)	37-5/8(956)
Dimension B – Minimum Service Height (mm)	38-1/2(978)	38-1/2(978)	38-1/2(978)	38-1/2(978)	38-1/2(978)	57(1,448)

INSTALLATION

Installation of filter should only be done by qualified, licensed personnel.

Filter mount must:

- Provide weather and freezing protection.
- Provide space and lighting for easy access for routine maintenance. (See Figure 1 for space requirements.)
- Provide ventilation and drainage for pump.
- Be on a reasonably level surface and provide adequate drainage.

Piping (See Figure 1B for correct connections):

- Piping must conform to local/state plumbing and sanitary codes.
- Use teflon tape, Plasto-Joint Stik^{®1} (provided), or Silastic RTV #732[®] on all male connections of plastic pipe and fittings. **DO NOT use pipe compounds on plastic pipe; it will cause the pipe to crack. Do not use sealant on unions – assemble them dry and hand tight.**
- Support pipe independently to prevent strains on filter.
- Fittings restrict flow; for best efficiency use fewest possible fittings.
NOTICE: Run outlet (return) piping to the filter port marked 'outlet' (see Figure 1A). Run inlet and drain piping to the other two 2" NPT ports which are not marked. These two ports (inlet and drain) are interchangeable to allow for the most convenient piping run. After you have piped the inlet and drain, apply the 'inlet' decal to the port to which you have run the inlet piping.
- For ease of maintenance, use Sta-Rite union couplings to connect the piping to the filter inlet and outlet ports.
- Keep piping tight and free of leaks: pump suction line leaks may cause trapped air in filter tank or loss of prime at pump; pump discharge line leaks may show up as dampness or jets of water.
- **NOTICE:** Overtightening can crack filter ports.

NOTICE

Make sure that the filter and all piping can be drained for winterizing. See "Winterizing", Page 9.

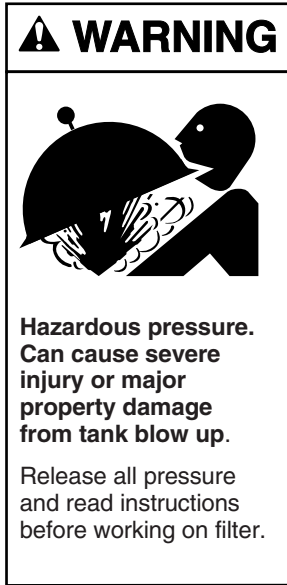
Valves:

- Install valves on both sides of the filter to isolate filter for easy servicing.
NOTICE: Install heater downstream of filter. If heater does not incorporate a check valve, install one at the heater inlet to prevent hot water from backing up into the filter. Filter modules damaged by excessive heat will void the warranty.
- A check valve installed ahead of filter inlet will prevent contaminants from draining back into pool.

Electrical:

- **BE SURE** filter grounding and bonding meets local and National Electrical Code standards. All wiring, grounding and bonding of associated equipment must meet local and National Electrical Code Standards.

¹ Lake Chemical Co., Chicago, IL



INITIAL START-UP

⚠ Be sure pump is OFF before starting procedure.

⚠ Do not operate these filters at more than 50 PSI (345 kPa) under any circumstances!

1. Securely lock Posi-Lok™ ring in place by rotating ring CLOCKWISE until it “clicks” past the safety latch (see Figure 3). Stop turning as soon as the ring clicks past the latch. The ring may feel slightly loose, but it will tighten up when pump is on and filter is under pressure.
2. Fill trap on pump with water.
3. Open air release valve on top of filter.
4. Open isolation valves.
5. Start pump to purge air from system.
6. When steady stream of water comes from air release valve, close the valve.

NOTICE: Leaking around the Posi-Lok™ ring may indicate that the ring is not fully locked. In this case, proceed as follows:

- A. Stop the pump, close the isolation valves, and open the air release valve to release any pressure within the filter.
- B. Remove the drain plug and drain all water from the filter.
- C. Push down on the top of the filter to fully seat the upper tank shell.
- D. Rotate the Posi-Lok™ clockwise until it locks behind the safety latch (see Figure 3).
- E. If the ring was already locked, remove it and the upper tank shell. Inspect and clean the O-ring and all sealing surfaces. Relubricate the O-ring.

NOTICE: Lubricate O-ring only with the silicone grease provided or equivalent, as other lubricants may cause the ring to swell. DO NOT lubricate Posi-Lok™ ring or threads on lower tank shell as this may collect grit and make removal difficult.

After filter is operating, record filter pressure gauge reading in owner's manual for future use.

NOTICE: When installed on a new pool, after approximately 48 hours of operation disassemble filter and clean out plaster dust, construction debris, etc. (see “Module Cleaning Procedure”, Pages 7 and 8).

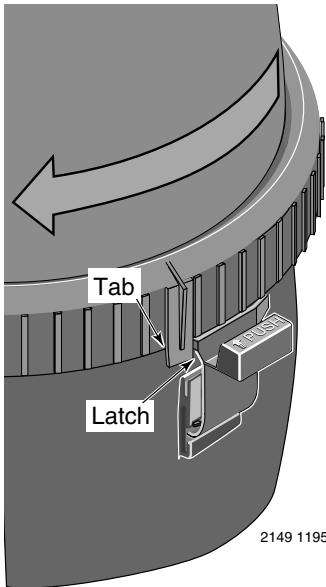


Figure 3 – Rotate Posi-Lok™ Ring until tab locks behind the safety latch.

FILTER DISASSEMBLY/ ASSEMBLY PROCEDURE

⚠ WARNING Hazardous pressure. Before disassembling filter:

1. STOP PUMP.
2. CLOSE isolation valves.
3. OPEN air release valve and drain fitting.
4. WAIT until all pressure is released and water drained from filter tank and system before loosening Posi-Lok™ Ring.

Disassembly:

1. Stop the pump.
2. Close isolation valves to prevent flooding.
3. Open air release valve on top of filter tank to release all pressure from inside of tank.

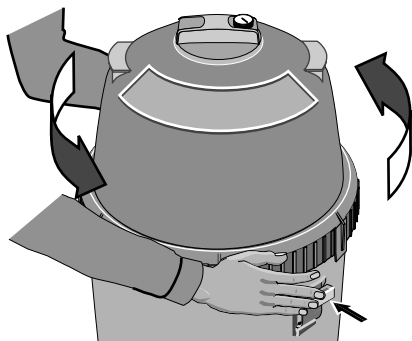


Figure 4 – Depress safety latch to unscrew Posi-Lok™ Ring.

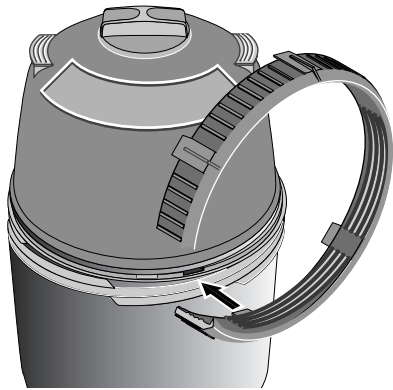


Figure 5 – Insert ring tab in slot in filter body.

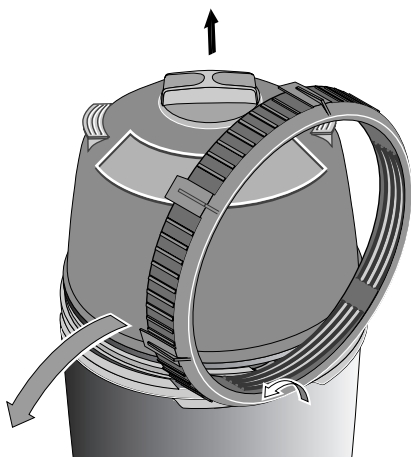


Figure 6 – Roll ring to one side to loosen upper tank half.

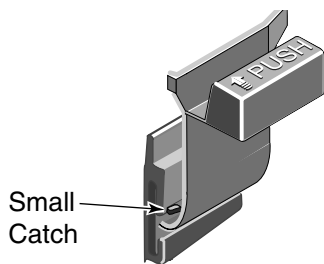


Figure 7 – Safety Latch

When to Clean the Filter

The filter module should normally be cleaned when the pressure gauge reading increases 10 PSI over the start-up pressure (record the start-up pressure under “Owner’s Information”, Page 3).

In some pools, accessories such as fountains or pool cleaners may be noticeably affected by the normal decrease in flow as the filter becomes dirty. If so, clean the filter more frequently (that is, at a pressure increase of less than 10 PSI) in order to maintain the required flow.

NOTICE: Make sure that waste water disposal complies with local codes and ordinances.

4. Remove drain plug and drain all water from tank.
5. Remove Posi-Lok™ ring as follows:
 - a. Press safety latch (below the ring) toward the tank to release it (see Figure 4).
 - b. Hold latch in the release position and rotate ring COUNTERCLOCKWISE to remove. If ring is difficult to turn, tap gently with a rubber mallet to overcome initial resistance.

NOTICE: DO NOT use screwdriver or bladed instrument that may damage shell surfaces to pry tank shells apart.

6. Separate upper and lower tank shell halves using tabs on bottom of Posi-Lok™ ring. Insert tab into slot located at tank joint and twist ring to pry shell halves apart. See Figures 5 and 6.
7. Remove O-ring from upper tank shell. Inspect for cuts, cracking, deformation or signs of wear; replace if necessary.

NOTICE: To avoid strain or damage, allow filter module to drain before lifting it out of the tank.

SAFETY LATCH (See Figure 7)

The purpose of the safety latch is to hold the Posi-Lok™ ring in the locked position. If the latch is damaged, replace it as follows:

1. Press down on the small catch behind the safety latch and press or tap the latch out of the “Tee” slot in the tank (see Figure 7).
2. Snap the new latch into position.

NOTICE: DO NOT operate the filter if the safety latch is damaged or will not hold the Posi-Lok™ ring in the locked position.

Assembly:

1. Inspect and clean the tank, ring threads and O-ring groove. Replace damaged parts as necessary.
2. Install the filter by placing the port in the bottom of the filter cartridge over the tank outlet port. Push down firmly to seal.
3. Ensure that the air bleed assembly on top of the module is clean and properly mounted.

NOTICE: Lubricate O-ring only with the silicone grease provided or equivalent, as other lubricants may cause the ring to swell. DO NOT lubricate Posi-Lok™ ring or threads on lower tank shell as this may collect grit and make removal difficult.

4. Install the O-ring in the upper tank shell O-ring groove. Be sure that the O-ring is clean and not twisted.
5. Push the upper tank shell into the lower tank shell to compress the O-ring.
6. Place the Posi-Lok™ ring squarely over the tank shell threads and rotate COUNTERCLOCKWISE until the ring falls into the slots; then rotate CLOCKWISE until securely latched.
7. Follow instructions in the “Initial Startup” section of this manual.

MODULE CLEANING PROCEDURE

Follow all steps in the “Disassembly” section of this manual.

The filter module should be removed and cleaned when pressure rises more than 10 psi (69 kPa) above startup pressure. See also “When to Clean the Filter,” at left.

▲ WARNING Risk of chemical burns. Do not attempt to acid clean the filter or module. If the filter requires acid cleaning, have a trained pool professional do the job.

NOTICE: When sanitizing your pool using PHMB (polyhexamethylene bi-quanide based) cleaners, use *only* PHMB cleaners to clean the module. When using PHMB sanitizers, the filter module **MUST** be cleaned more thoroughly and frequently than for a pool using chlorine. Follow manufacturer's instructions carefully. Use of any other type of cleansers with PHMB pool sanitizers will void the filter's warranty.

NOTICE: Avoid washing filter debris into the outlet port. Remove drain plug and flush foreign material from inside of tank before removing filter module.

1. With a hose equipped with a soft flow nozzle, wash as much dirt as possible off of the filter module while it is still inside the tank. Allow tank to drain completely.
2. Make sure that the inside of the tank is clean. Lift out the module and hose it down thoroughly. Spray the entire module surface. Allow module to drain.
3. Inspect the module. If necessary, repeat the washing operation. If the module is damaged, replace it.

NOTICE: If this cleaning method does not remove all deposits, see "Special Cleaning Instructions" section in this manual.

4. Inspect and clean air bleed filter at top of module.
5. Follow all steps in the "Assembly" and "Initial Startup" sections of this manual.

Special Cleaning Instructions:

Use this procedure to clean scale or oils which are not removed by hosing down module. Be sure to dispose of spent chemicals according to all applicable codes and waste disposal ordinances. Use a soft stream nozzle to minimize flying water and spray.

▲ DANGER Risk of fire or explosion. Isolate filter from system before chemical cleaning; rinse filter and elements completely before returning to service. If filter cannot be isolated, remove media and clean at another location. Follow chemical manufacturer's instructions for use. Do not mix chemicals except as directed by manufacturer. Do not allow cleaning chemicals to mix with or to come in contact with chlorine, bromines, other chemicals, or chemical feed devices.

1. Sponge or spray the module according to chemical manufacturer's directions.
2. If soaking is required, remove the module from the filter tank and submerge it in a separate tank. Follow cleaner manufacturer's instructions carefully.
3. After completing chemical manufacturer's instructions, drain and rinse the module completely. Dispose of cleaners in accordance with local codes and disposal ordinances.
4. Rinse the inside of the filter tank. Drain it completely.
5. Follow instructions in the "Assembly" and "Initial Startup" sections of this manual.

Recommended Specialty Filter Cleaners

Filter Cleanse™,
Great Lakes Biochemical

BIOGUARD Strip Kwik™,
BIOGUARD KleenIt™,
Softswim® Filter Cleaner,**
BIOLABS, Inc.

Filter Kleen™,
Haviland Products Co.

BAQUA CLEAN™, **
Zeneca, Inc.

** MUST be used when using any PHMB based sanitizer.

SYSTEM INSPECTION

General:

Wash the outside of the filter with a mild detergent and water. Rinse off with a hose.

NOTICE: DO NOT use solvents to clean the filter; solvents may damage plastic components in the system.

NOTICE: Open the air bleed valve and bleed all air from the filter each time the pump is stopped and restarted.

Weekly Inspection:

1. Remove debris from the pool skimmer basket.
2. Stop the pump; open the air release valve to release all pressure.
3. Remove the trap cover and basket; remove debris.
4. Check the pump for leaks. If found, see the pump owner's manual.
5. Replace the trap basket and the cover. Tighten the cover securely hand tight. DO NOT use a lid wrench to tighten it.
6. Start the pump. When the filter air release valve runs a solid stream of water, close the valve.
7. When the system has returned to normal operation, check the filter pressure. If the filter pressure is 10 PSI (69kPa) or more higher than the initial startup pressure, the filter needs cleaning. See "Module Cleaning Procedure", Pages 7 and 8.

WINTERIZING

▲WARNING Explosion hazard. Purging the system with compressed air can cause components to explode, with risk of severe injury or death to anyone nearby. Use only a low pressure (below 5 PSI), high volume blower when air purging the pump, filter, or piping.

NOTICE: Protect the filter from freezing. Allowing the filter to freeze will damage it and will void the warranty.

1. Clean the filter according to instructions (Pages 7 and 8) before winterizing.
2. Stop the pump.
3. Open the air release valve; open all the system valves.
4. Remove the drain plugs from the trap, pump, and filter.
5. Drain the system piping.
 - A. Gravity drain system as far as possible.
 - B. Protect areas which retain water with non-toxic propylene glycol antifreeze ("RV antifreeze").
6. Loosen the union nuts (if used) to drain all water from the filter interior. Leave these nuts loose until the system is restarted.
7. Disassemble the filter (follow instructions under "Filter Disassembly", Pages 6 and 7). Remove the filter module and store it in a warm, dry area.
8. If the filter is equipped with an optional internal spring check valve (in the tank outlet), manually open the check valve to allow any water trapped in the tank to drain.
9. Cover the filter with plastic or tarpaulin to prevent water entrance and freezing.

NOTICE

The filter outlet piping will not empty through the filter drain. Make sure that the outlet piping has a separate drain for winterizing.

TROUBLESHOOTING GUIDE

1. Short Cycle Time:

NOTICE: CycleTime will vary with each installation and between different areas of the country. The following causes and remedies are for cycle times shorter than normal for your area.

- A. Chlorine residual too low; maintain proper residual (consult pool professional for recommendation).
- B. Flow rate too high; restrict flow to rated capacity of filter (see instruction plate on filter or specifications on Page 4).
- C. Filter is too small; install an additional filter.
- D. Filter module is dirty or plugged; thoroughly clean the filter (see No. 4, "Plugged Module Cloth", and "Module Cleaning Procedure", Pages 7 and 8).
- E. Water is chemically out of balance; consult pool professional.
- F. Algae in the pool. Apply heavy dose of chlorine or algicide as recommended by the pool manufacturer.

2. Low Flow/High Pressure:

- A. Elements plugged; clean filter thoroughly (see Pages 7 and 8).
- B. Pipe blocked downstream from filter; remove obstruction.
- C. Piping too small; use larger pipe (consult dealer for sizing).
- D. Filter area too small; install an auxiliary filter (consult dealer for recommendation).
- E. Outlet port check valve obstructed (if applicable); remove obstruction to allow valve to open.

3. Low Flow/Low Pressure:

- A. Pump too small; consult dealer for recommendations.
- B. Plugged pump or plugged hair and lint trap; clean thoroughly.

4. Plugged Module Cloth:

- A. Insufficient cleaning; follow cleaning instructions closely and clean thoroughly (see Pages 7 and 8).
- B. Water is chemically out of balance; consult pool professional.

C. Excessive air in filter. Vent air from tank and check for pump suction pipe leaks. Clean air bleed filter in module assembly with a hose and soft flow nozzle.

D. Filter is too small. Install an additional filter.

E. Pool water contains iron. See "Special Cleaning Instructions", Page 8.

F. Heavy or improper application of powdered chlorine tablets using a binder. See "Special Cleaning Instructions", Page 8.

G. Algae in the pool. Apply heavy dose of chlorine or algicide as recommended by the pool manufacturer.

H. Use of incorrect chemicals with PHMB sanitizers. Replace filter module.

5. Pool Water Not Clean:

A. Chlorine residual too low; maintain adequate chlorine residual (consult pool service technician for recommendation).

B. Filter module cloth torn, plugged, or punctured; replace module.

C. Inadequate turnover rate; consult dealer to verify that equipment is properly sized for your pool.

D. Pump is too large and is overpumping. Reduce the flow rate.

E. The filter is installed backwards. Reinstall it correctly.

F. Pool water contains iron. See "Special Cleaning Instructions", Page 8.

G. Heavy or improper application of powdered chlorine tablets using a binder. See "Special Cleaning Instructions", Page 8.

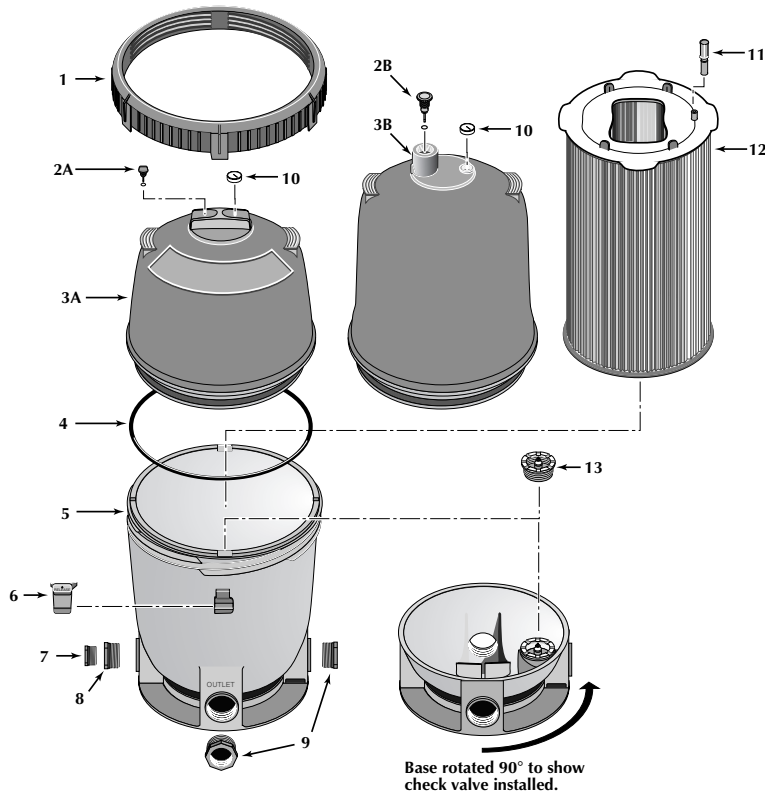
H. Algae in the pool. Apply heavy dose of chlorine or algicide as recommended by the pool manufacturer.

6. Pool Accessories Stop Working:

A. Clean filter and observe performance of accessories.

B. If accessories perform better after filter has been cleaned, use a shorter cleaning cycle for the filter (that is, clean the filter after a pressure rise of less than 10 PSI).

REPAIR PARTS



Key No.	Description	Qty.	Part Number
1	Posi-Lok™ ring*	1	27001-0054
2A	Air release valve assembly	1	25010-0200
2B	Air release valve assembly (PLM300)	1	24206-0103S
3A	Tank shell upper half*	1	27001-0020S
3B	Tank shell upper half (PLM300)*	1	27001-0030S
4	Tank O-ring	1	27001-0061S
5	Tank shell lower half	1	27001-0009S
6	Safety latch for ring	1	27001-0051
7	1-1/2" NPT plug w/O-ring***	1	27001-0022S
8	Adapter fitting***	1	24900-0510
9	2" x 1-1/2" Pipe reducer**	2	U78-820P
10	Pressure gauge***	1	15060-0000T
11	Air bleed assembly	1	24800-0121
12	Filter module (PLM100)	1	27002-0100S
12	Filter module (PLM125)	1	27002-0125S
12	Filter module (PLM150)	1	27002-0150S
12	Filter module (PLM175)	1	27002-0175S
12	Filter module (PLM200)	1	27002-0200S
12	Filter module (PLM300)	1	27002-0300S
13	Spring check valve**	1	27001-0130S
•	Accessory package	1	27001-0140
•	Decal, logo	1	27001-0041
•	Decal, warning	1	27001-0042
•	Decal, operating instr.	1	27002-0043
•	Decal, nameplate (PLM100)	1	27002-0042
•	Decal, nameplate (PLM125)	1	27002-0048
•	Decal, nameplate (PLM150)	1	27002-0045
•	Decal, nameplate (PLM175)	1	27002-0049
•	Decal, nameplate (PLM200)	1	27002-0050
•	Decal, nameplate (PLM300)	1	32155-4164
•	Decal, inlet***	1	32165-4010
•	Owner's manual	1	S338
•	Teflon tape***	1	U97-58
•	O-ring grease***	1	34725-0013

- Not illustrated.
- * Includes all decals and labels.
- ** Optional equipment.
- *** Shipped in accessory package.

STA-RITE LIMITED WARRANTY

Pumps, filters, skimmers, underwater lights (excluding bulbs), accessories and fittings manufactured by Sta-Rite are warranted to be free of defects in material and/or workmanship for one (1) year from the original date of installation.

The foregoing warranties relate to the original consumer purchaser ("Purchaser") only. Sta-Rite Industries shall have the option to repair or replace the defective product, at its sole discretion. Purchasers must pay all labor and shipping charges necessary to replace the product covered by this warranty. Requests for warranty service must be made through the installing dealer. This warranty shall not apply to any product that has been subject to negligence, misapplication, improper installation or maintenance, or other circumstances which are not in Sta-Rite's direct control. Failure to have product installed by a professional in compliance with local codes will void any and all manufacturers warranty.

This warranty sets forth Sta-Rite's obligation and Purchaser's exclusive remedy for defective products.

STA-RITE SHALL NOT BE LIABLE FOR ANY CONSEQUENTIAL, INCIDENTAL OR CONTINGENT DAMAGES WHATSOEVER.

THE FOREGOING WARRANTIES ARE EXCLUSIVE AND IN LIEU OF ALL OTHER EXPRESS WARRANTIES. IMPLIED WARRANTIES, INCLUDING BUT NOT LIMITED TO THE IMPLIED WARRANTIES OF MERCHANTABILITY AND FITNESS FOR A PARTICULAR PURPOSE, SHALL NOT EXTEND BEYOND THE DURATION OF THE APPLICABLE EXPRESS WARRANTIES PROVIDED HEREIN.

Some states do not allow the exclusion or limitation of incidental or consequential damages or limitations on how long an implied warranty lasts, so the above limitations or exclusion may not apply to you. This warranty gives you specific legal rights and you may also have other rights which vary from state to state.

Supersedes all previous publications.

Product Specific Warranties (from date of installation)

Product Family	Limited Warranty	Exceptions
Filters	1 Year	System 3 Tank Bodies - 10 Yrs
Filter Valves	1 Year	
Pumps	1 Year	
Heaters	2 Years	*Commercial Application - 1 Yr
Controls	1 Year	
Above Ground Systems	1 Year	
Lights and Niches	1 Year	Lamps and Bulbs - 90 Days
White Goods	1 Year	
Maintenance Equipment	90 Days	
Drainer/Utility Pumps	90 Days	
Replacement Parts	90 Days	
Cleaners: Lil Shark	1 Year	
Cleaners: Calypso	1 Year	
Cleaners: Pool Shark	2 Years	Footpad and Seal Flaps - 1 Yr
Cleaners: Great White	2 Years	

* Commercial and multi-family application.

Retain this warranty certificate in a safe and convenient location for your records.

For technical information about this product, contact the installer or call Sta-Rite at 262-728-9181.

Visit www.staritepool.com

- for more information about Sta-Rite products listed above
- to locate a Sta-Rite dealer near you

CREATE A RECORD OF YOUR WARRANTY AT STA-RITE:

- Complete a warranty registration at www.staritepool.com by clicking on "Register Products" and selecting Sta-Rite Pool **OR**
- Complete bottom portion completely and mail within 10 days of installation to Sta-Rite, Attn.: Pool Warranty Dept., 293 Wright St., Delavan, WI 53115



Warranty Registration Card

Name _____

New installation Replacement

Address _____

Years pool has been in service less than 1 1-3 3-5 5-10

City _____ State _____ Zip _____

This product was purchased from:

Installation (or Purchase) Date _____

Company name _____

Product Purchased _____

Address _____

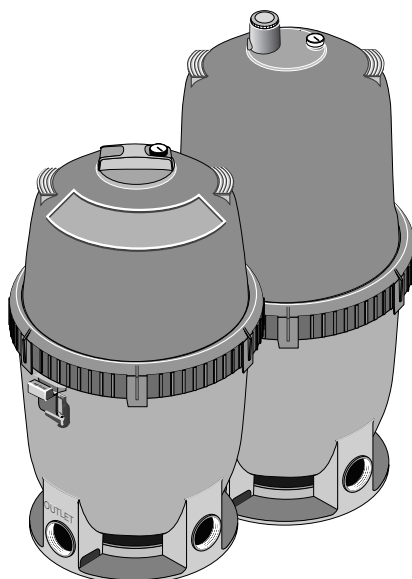
Model Number _____

City _____ State _____ Zip _____

STA-RITE®

Systeme 2™ à matériau filtrant modulaire

NOTICE D'UTILISATION



INSTALLATION, FONCTIONNEMENT ET PIÈCES

MODELES

PLM100

PLM125

PLM150
PLM300

PLM175

PLM200



Cette Notice doit être remise à l'utilisateur de ce filtre; elle permettra de diminuer les appels de service, les possibilités de blessures et elle prolongera la durée du filtre.

Sta-Rite Pool/Spa Group

293 Wright Street, Delavan, WI 53115

International: 262-728-5551, FAX: 262-728-7550

www.starite.com

Union City, TN • Delavan, WI • Mississauga, Ont. • Murrieta, CA

BREVET AMÉRICAIN N° 5190651 (autres brevets en instance)

© 2005, Sta-Rite Industries

S338 (Rév. 22/3/05)

E
N
G
L
I
S
H

F
R
A
N
Ç
A
I
S

E
S
P
A
Ñ
O
L

Table des matières

Instructions de sécurité	2
Renseignements généraux	3
Spécifications	4
Installation	5
Mise en service initiale	6
Démontage et remontage du filtre	6-7
Quand nettoyer le filtre	7-8
Instructions de nettoyage spéciales	8
Inspection du système/hivérisation	9
Guide de diagnostic des pannes	10
Pièces de rechange	11
Garantie	12

LIRE TOUTES CES INSTRUCTIONS ET LES SUIVRE!

⚠ Ce symbole indique qu'il faut être prudent. Lorsque ce symbole apparaît sur la pompe ou dans cette Notice, rechercher une des mises en garde qui suivent, car elles indiquent un potentiel possible de blessures corporelles :

⚠ DANGER avertit d'un danger **qui causera** la mort, des blessures corporelles ou des dommages matériels importants si on l'ignore.

⚠ AVERTISSEMENT avertit d'un danger **qui risque** de causer la mort, des blessures corporelles ou des dommages matériels importants si on l'ignore.

⚠ ATTENTION avertit d'un danger qui **causera** ou qui **risquera** de causer des blessures corporelles, la mort ou des dommages matériels importants si on l'ignore.

NOTA indique des instructions spéciales n'ayant aucun rapport avec les dangers.

Lire attentivement toutes les consignes de sécurité contenues dans cette Notice ou collées sur le filtre.

Garder les autocollants de sécurité en bon état; les remplacer s'ils manquent ou s'ils ont été endommagés.

⚠ AVERTISSEMENT **Un appareil mal posé ou mal contrôlé peut tomber en panne, causer de graves blessures corporelles ou des dommages matériels.** Lire et suivre toutes les instructions figurant dans la Notice d'utilisation lorsque l'on pose et utilise ce filtre. Demander à un professionnel en piscines de procéder à tous les contrôles de pression.

1. Ne pas brancher le système sur un réseau d'eau municipal ou toute autre source externe d'eau sous pression.
2. Ce filtre ne doit être utilisé qu'avec une piscine ou une cuve thermique (spa).
3. L'air emprisonné dans le système peut causer une explosion. S'ASSURER que tout l'air a été chassé du système avant de le faire fonctionner ou de contrôler le filtre.

Avant de procéder à un contrôle de pression, procéder aux vérifications de sécurité suivantes :

- Vérifier tous les colliers, toutes les vis, tous les couvercles, toutes les bagues de verrouillage et tous les accessoires du système avant de le contrôler.
- Chasser tout l'air pouvant être emprisonné dans le système.
- Serrer le couvercle des cuves des pompes Sta-Rite au couple de 30 lb-pi (4,1 kg/cm).
- Pour procéder au contrôle, la pression de l'eau ne doit pas dépasser 25 lb/po² (172 kPa).
- Pour procéder au contrôle, la température de l'eau doit être inférieure à 100 °F (38 °C).
- Limiter le contrôle à 24 heures. Après avoir procédé au contrôle, vérifier visuellement le système pour s'assurer qu'il est prêt à fonctionner. Déposer le couvercle de la cuve de la pompe et ne le resserrer qu'à la main.

NOTA : Ces paramètres ne s'appliquent qu'aux filtres Sta-Rite. Pour les filtres de marques autres que Sta-Rite, consulter le fabricant du filtre.

⚠ AVERTISSEMENT



Pression dangereuse!
Peut causer l'explosion du réservoir.

Ne jamais brancher le filtre sur de l'air comprimé.

RENSEIGNEMENTS GÉNÉRAUX

- Dans le cas d'une piscine neuve, la nettoyer le mieux possible avant de la remplir et de faire fonctionner le filtre. Le filtre et la pompe risquent d'être endommagés si le système contient trop de saletés et de grosses particules de corps étrangers.
- Dans le cas d'un filtre à matériau filtrant permanent en place et fonctionnant bien, l'eau propre retourne plus vite dans la piscine qu'elle peut être contaminée. Une installation typique de piscine demande environ une semaine pour obtenir et maintenir l'éclat que le filtre peut fournir.
- La pression maximum est de 50 lb/po² (345 kPa). NE PAS brancher le filtre sur un réseau d'eau municipal ou sur un système de puits d'eau individuel.

▲ AVERTISSEMENT Pression dangereuse. Avant de faire fonctionner le système, ouvrir le purgeur d'air pour chasser tout l'air. NE JAMAIS faire fonctionner le filtre si de l'air est emprisonné à l'intérieur du système.

- Le filtre à matériau filtrant modulaire Sta-Rite est conçu pour filtrer l'eau des piscines et des cuves thermales (spa). Dans le cas d'une installation neuve, nous recommandons de :

1. Démontez le filtre après le nettoyage initial.

▲ AVERTISSEMENT Pression dangereuse. Pour éviter de graves blessures ou de causer des dommages matériels importants, suivre exactement les recommandations figurant sous «Démontage et remontage du filtre» aux pages 6 et 7.

2. Déposer les éléments et les laver avec un tuyau d'arrosage pour enlever tous les contaminants.

- Maintenir le pH de l'eau de la piscine entre 7,2 et 7,6.
- S'assurer que le tube de purge d'air interne et que le filtre sont propres et bien posés en haut du module filtrant avant de faire fonctionner le filtre.
- S'assurer que la bague Posi-Lok^{MD} est bien verrouillée en place avant de faire fonctionner le filtre.
- Garder le manomètre en bon état de fonctionnement. Le remplacer immédiatement s'il est endommagé.
- Les fréquences de nettoyage sont basées sur l'élévation en pression, et non pas sur la durée pendant laquelle le filtre fonctionne. En fonction des conditions de l'eau, les fréquences de nettoyage varient.
- Vérifier les codes municipaux concernant les règlements sur l'élimination des eaux usées.

NOTA : Certains désinfectants de piscine risquent de boucher le module filtrant. Pour prolonger la durée du module filtrant et la durée de fonctionnement du filtre, observer attentivement les instructions du fabricant du désinfectant pour nettoyer les piscines ou les filtres. Ne pas respecter ces instructions risque d'affecter la garantie du module filtrant.

Renseignements concernant le propriétaire

Numéro de série _____

Concessionnaire _____

N° de téléphone _____

Date d'achat _____

Date d'installation _____

Pression indiquée par le manomètre au démarrage _____

Quand nettoyer le filtre

Le module filtrant doit normalement être nettoyé lorsque la pression indiquée par le manomètre augmente de 10 lb/po² par rapport à la pression de démarrage (indiquer la pression de démarrage sous «Renseignements concernant le propriétaire» en bas, à droite).

Dans certaines piscines, des accessoires comme des fontaines ou des nettoyeurs de piscine peuvent être considérablement affectés par une diminution normale du débit, au fur et à mesure que le filtre se bouche. Dans ce cas, nettoyer le filtre plus fréquemment (c'est-à-dire, avant que la pression ait augmenté de 10 lb/po² par rapport à la pression de démarrage) de façon à maintenir le débit requis.

▲ AVERTISSEMENT



Risque de se noyer ou de tomber. Placer l'équipement assez éloigné de la piscine pour que les enfants ne puissent pas y grimper pour accéder à la piscine.

Ne pas permettre aux enfants de se tenir debout ou de jouer sur le filtre ou la pompe.

SPÉCIFICATIONS

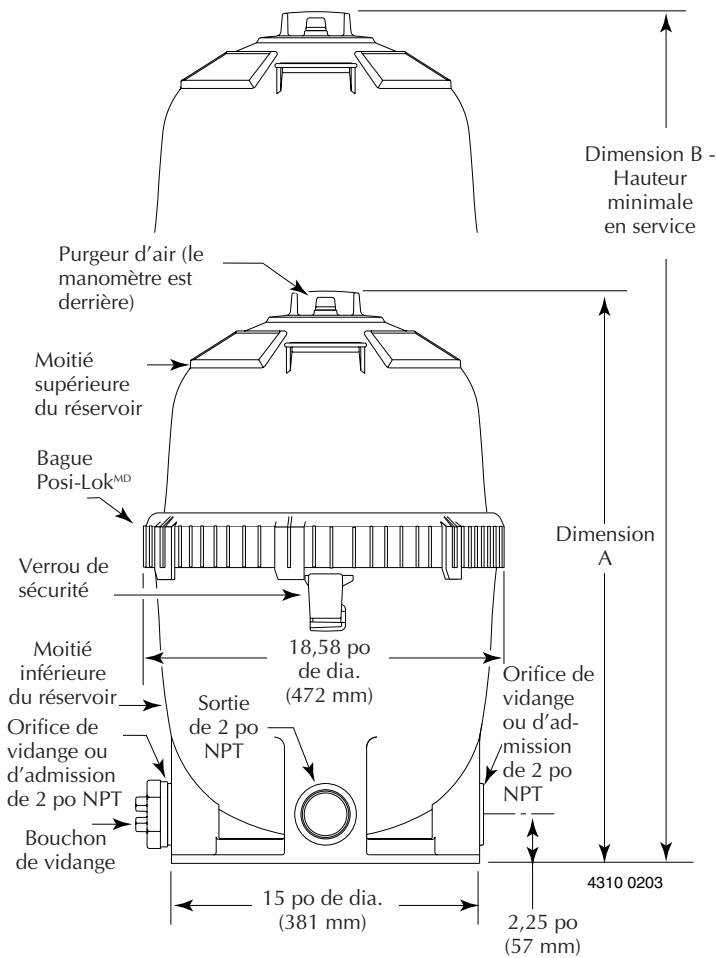


FIGURE 1A – Dimensions en pouces (mm)

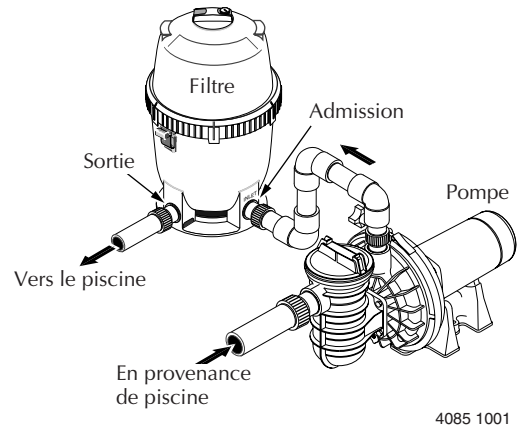


FIGURE 1B – Les branchements de tuyauterie

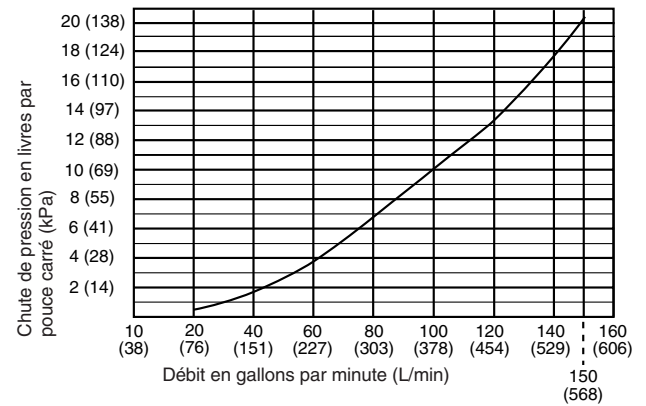


FIGURE 2 – Courbe de chute de pression

Table 1 - Spécifications du filtre

	N ^{os} des modèles					
	PLM100	PLM125	PLM150	PLM175	PLM200	PLM300
Surface filtrante en pieds carrée (m ²)	100(9,3)	125(11,6)	150(14)	175(16,3)	200(18,6)	300(27,9)
Débit nominal maximum en gal/min (L/min)						
Commercial	37(140)	47(178)	56(212)	66(249)	75(284)	113(428)
Pression de fonctionnement maximum en lb/po ² (kPa)	50(345)	50(345)	50(345)	50(345)	50(345)	50(345)
Température maximum continue de l'eau ne °F(°C)	104°(40°)	104°(40°)	104°(40°)	104°(40°)	104°(40°)	104°(40°)
Dimension A – Hauteur (mm)	27-3/4(705)	27-3/4(705)	27-3/4(705)	27-3/4(705)	27-3/4(705)	37-5/8(956)
Dimension B – Hauteur minimale en service (mm)	38-1/2(978)	38-1/2(978)	38-1/2(978)	38-1/2(978)	38-1/2(978)	57(1,448)

INSTALLATION

L'installation du filtre doit être effectuée par du personnel qualifié et compétent.

Le support du filtre doit :

- pouvoir protéger des intempéries et du gel.
- procurer l'espace et l'éclairage suffisants pour procéder facilement à l'entretien périodique (voir la Figure 1 pour les espaces requis).
- permettre la ventilation et la vidange de la pompe.
- être sur une surface de niveau et assurer un écoulement adéquat.

La tuyauterie (Voir la Figure 1B pour les branchements de tuyauterie) :

- Elle doit se conformer aux codes sanitaires et de la plomberie de la municipalité/de la province.
- Utiliser du ruban téflon, du Plasto-Joint Stick^{®1} (fourni) ou du Silastic RTV n° 732[®] sur tous les raccords mâles des tuyaux et sur les raccords en plastique. **NE PAS utiliser de pâte pour raccords filetés sur les tuyaux en plastique, sinon ils se fissureront. Ne pas utiliser de produits d'étanchéité sur les raccords unions - les assembler à sec et ne les serrer qu'à la main.**

- Supporter la tuyauterie indépendamment pour empêcher toutes contraintes sur le filtre.
- Les raccords limitent le débit; pour obtenir de meilleurs résultats, utiliser le moins possible de raccords.

NOTA : Brancher le tuyau de retour sur l'orifice du filtre repéré « Outlet ». (Se reporter à la Figure 1A.) Brancher les tuyaux d'arrivée et de vidange sur les deux autres orifices de 2 po NPT, lesquels ne sont pas repérés. Ces deux orifices (arrivée et vidange) sont interchangeables, ce qui permet un branchement plus pratique des tuyaux. Après avoir branché les tuyaux sur les orifices d'arrivée et de vidange, coller l'autocollant « arrivée/inlet » à côté de l'orifice sur lequel on a branché le tuyau d'arrivée.

- Pour faciliter l'entretien, utiliser des raccords unions Sta-Rite pour brancher la tuyauterie sur les orifices d'arrivée et de sortie du filtre.
- Garder la tuyauterie bien serrée et exempte de fuites : toute fuite de la conduite d'aspiration de la pompe peut causer l'emprisonnement d'air dans le réservoir du filtre ou une perte d'amorçage de la pompe; toute fuite de la conduite de refoulement de la pompe se remarquera par de l'humidité ou des jets d'eau.
- **NOTA :** Un serrage excessif risque de fissurer les orifices du filtre.

Robinets :

- Poser des vannes des deux côtés du filtre pour l'isoler afin de faciliter son entretien.

NOTA : Poser le chauffe-eau en aval du filtre. Si le chauffe-eau ne comporte pas un clapet antiretour, en poser un côté arrivée du chauffe-eau pour empêcher que l'eau chaude revienne dans le filtre. Les modules filtrants endommagés par une chaleur excessive annulent la garantie.

- Un clapet antiretour posé avant l'arrivée du filtre empêchera les contaminants de retourner dans la piscine.

Électricité :

- **S'ASSURER** que la mise à la terre et que la métallisation du filtre correspondent aux normes du code de l'électricité national et de la municipalité. Tous les câblages, toutes les mises à la terre et toutes les métallisations de l'équipement connexe doivent correspondre aux normes du code de l'électricité national et de la municipalité.

NOTA

S'assurer que le filtre et que toutes les tuyauteries pourront être vidés pour l'hiver. Voir «Hivérisation» à la page 9.

¹ Lake Chemical Co., Chicago, IL



MISE EN SERVICE INITIALE

- ⚠ S'assurer que la pompe est **ARRÊTÉE** avant de procéder à la mise en service.
- ⚠ Ne jamais faire fonctionner ces filtres par des pressions supérieures à 50 lb/po² (345 kPa).

1. Immobiliser la bague Posi-Lok^{MD} en place en la tournant à DROITE jusqu'à ce qu'elle émette un «clic» au-delà du verrou de sécurité (voir la Figure 3). Cesser de la tourner dès qu'elle a émis un déclic au-delà du verrou. La bague peut sembler légèrement desserrée mais elle se serrera lorsque la pompe sera mise en marche et lorsque le filtre sera sous pression.
2. Remplir d'eau la cuve de la pompe.
3. Ouvrir le purgeur d'air qui se trouve en haut du filtre.
4. Ouvrir les robinets d'arrêt.
5. Démarrer la pompe pour chasser l'air du système.
6. Lorsqu'un jet continu d'eau sort du purgeur d'air, le refermer.

NOTA : Toute fuite autour de la bague Posi-Lok^{MD} indique qu'elle n'est pas complètement verrouillée. Dans ce cas, procéder comme suit :

- A. Arrêter la pompe, fermer les robinets d'arrêt et ouvrir le purgeur d'air pour dissiper la pression du filtre.
- B. Déposer le bouchon de vidange et vider toute l'eau du filtre.
- C. Appuyer sur le filtre pour bien faire reposer en place la moitié supérieure du filtre.
- D. Tourner la bague Posi-Lok^{MD} à droite jusqu'à ce qu'elle se verrouille derrière le verrou de sécurité (voir la Figure 3).
- E. Si la bague était déjà verrouillée, la déposer de la moitié supérieure du filtre. Inspecter le joint torique et le nettoyer, de même que toutes les surfaces d'étanchéité. Relubrifier le joint torique.

NOTA : Ne lubrifier le joint torique qu'avec de la graisse à la silicone fournie ou de la graisse équivalente, étant donné que les autres lubrifiants risquent de faire gonfler le joint. **NE PAS** lubrifier la bague Posi-Lok^{MD} ou les filets de la moitié inférieure du filtre, sinon la saleté risque de s'accumuler dessus et il sera difficile de les déposer.

Après que le filtre fonctionne, relever la pression indiquée par le manomètre et l'indiquer dans la Notice d'utilisation pour s'y reporter plus tard.

NOTA : Lorsque le filtre est installé sur une piscine neuve, le démonter après environ 48 heures de fonctionnement et nettoyer les poussières de plâtre, les débris de construction, etc. (Se reporter à «Nettoyage du module» aux pages 7 et 8).

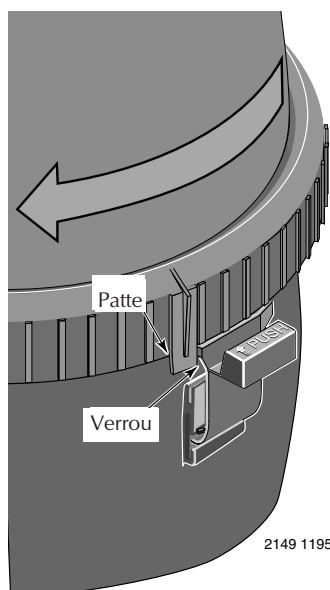


Figure 3 – Tourner la bague Posi-Lok^{MD} jusqu'à ce que la patte se verrouille derrière le verrou de sécurité.

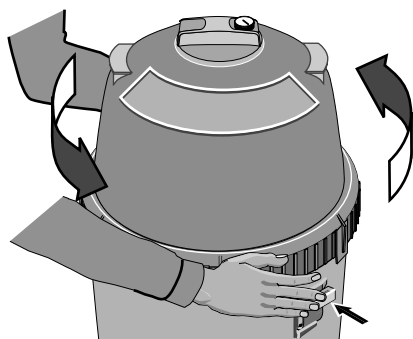


Figure 4 – Appuyer sur le verrou de sécurité pour dévisser la bague Posi-Lok^{MD}.

DÉMONTAGE ET REMONTAGE DU FILTRE

⚠ **AVERTISSEMENT** Pression dangereuse. Avant de démonter le filtre :

1. **ARRÊTER LA POMPE.**
2. **FERMER** les robinets d'arrêt.
3. **OUVRIR** le purgeur d'air et le raccord de purge.
4. **ATTENDRE** que toute la pression soit dissipée et que toute l'eau se soit vidée du réservoir du filtre et du système avant de desserrer la bague Posi-Lok^{MD}.

Démontage :

1. Arrêter la pompe.
2. Fermer les robinets d'arrêt pour empêcher une inondation.
3. Ouvrir le purgeur d'air qui se trouve en haut du réservoir du filtre pour dissiper toute la pression à l'intérieur du réservoir.

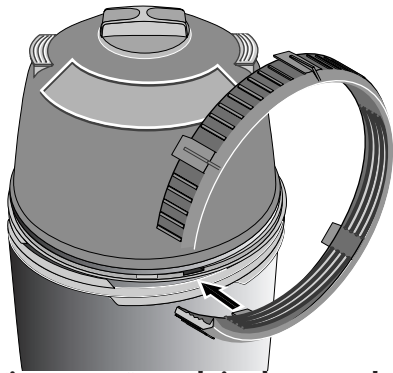


Figure 5 – Introduire la patte de la bague dans la fente du corps de filtre.

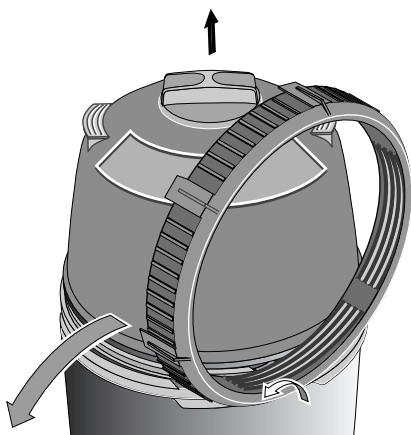


Figure 6 – Basculer la bague d'un côté pour desserrer la moitié supérieure du réservoir.

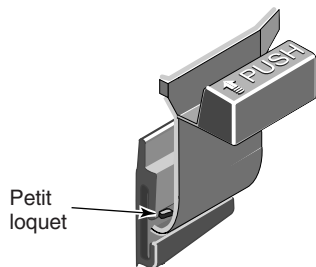


Figure 7 – Verrou de sécurité

Quand nettoyer le filtre

Le module filtrant doit normalement être nettoyé lorsque la pression indiquée par le manomètre augmente de 10 lb/po² par rapport à la pression de démarrage (indiquer la pression de démarrage sous «Renseignements concernant le propriétaire» à la page 3).

Dans certaines piscines, des accessoires comme des fontaines ou des nettoyeurs de piscine peuvent être considérablement affectés par une diminution normale du débit, au fur et à mesure que le filtre se bouche. Dans ce cas, nettoyer le filtre plus fréquemment (c'est-à-dire, avant que la pression ait augmenté de 10 lb/po² par rapport à la pression de démarrage) de façon à maintenir le débit requis.

NOTA : S'assurer de se débarrasser de l'eau usée conformément aux décrets et aux codes de la municipalité.

4. Déposer le bouchon de vidange et vider toute l'eau du réservoir.
5. Déposer la bague Posi-Lok^{MD} en procédant comme suit :
 - a. Pour dégager le verrou de sécurité (qui se trouve sous la bague), le pousser vers le réservoir. (Voir la Figure 4.)
 - b. Tenir le verrou dans la position dégagée et tourner la bague À GAUCHE pour la déposer. S'il est difficile de tourner la bague, taper légèrement dessus avec une massette à embout en caoutchouc pour vaincre la résistance initiale.

NOTA : Pour séparer les moitiés de réservoir, NE PAS utiliser de tournevis ni d'instrument à lame qui risqueraient d'endommager leurs surfaces.

6. Séparer les moitiés supérieure et inférieure du réservoir en se servant des pattes qui se trouvent à la partie inférieure de la bague Posi-Lok^{MD}. Introduire les pattes dans l'encoche du raccord du réservoir et tourner la bague pour désolidariser les moitiés de réservoir. Se reporter aux Figures 5 et 6.
7. Déposer le joint torique de la moitié supérieure du réservoir. L'inspecter à la recherche de coupures, de fissures, de déformations ou de signes d'usure; le remplacer au besoin.

NOTA : Pour éviter toute contrainte sur le module filtrant ou de l'endommager, le laisser se vider avant de le sortir du réservoir.

VERROU DE SÉCURITÉ (voir la Figure 7)

Le but du verrou de sécurité est de retenir la bague Posi-Lok^{MD} en position verrouillée. Si le verrou est endommagé, le remplacer en procédant comme suit :

1. Appuyer sur le petit loquet qui se trouve derrière le verrou de sécurité et chasser le verrou ou taper dessus pour le sortir de l'encoche en «té» du réservoir (voir la Figure 7).
2. Agrafer le verrou neuf en position.

NOTA : NE PAS faire fonctionner le filtre si le verrou de sécurité est endommagé ou s'il ne retient pas la bague Posi-Lok^{MD} en position verrouillée.

Remontage :

1. Inspecter et nettoyer le réservoir, les filets de la bague et la gorge du joint torique. Selon le besoin, remplacer les pièces endommagées.
2. Installer le filtre en plaçant l'orifice qui se trouve à la partie inférieure de la cartouche filtrante par-dessus l'orifice de sortie du réservoir. Pousser fermement dessus pour rendre étanche.
3. S'assurer que le purgeur d'air qui se trouve en haut du module filtrant est propre et bien monté.

NOTA : Ne lubrifier le joint torique qu'avec de la graisse à la silicone fournie ou de la graisse équivalente, étant donné que les autres lubrifiants risquent de faire gonfler le joint. NE PAS lubrifier la bague Posi-Lok^{MD} ou les filets de la moitié inférieure du filtre, sinon la saleté risque de s'accumuler dessus et il sera difficile de les déposer.

4. Installer le joint torique dans la gorge supérieure du réservoir. S'assurer que le joint torique est propre et pas déformé.
5. Pousser la moitié supérieure du réservoir sur la moitié inférieure pour comprimer le joint torique.
6. Mettre la bague Posi-Lok^{MD} d'équerre sur les filets du réservoir et la tourner À DROITE jusqu'à ce qu'elle se verrouille derrière le verrou de sécurité.
7. Suivre les instructions figurant à la section «Mise en service initiale» de cette Notice.

NETTOYAGE DU MODULE

Suivre toutes les opérations indiquées à la section «Démontage» de cette Notice.

Le module filtrant doit être déposé et nettoyé lorsque la pression s'élève à plus de 10 lb/po² (69 kPa) au-dessus de la pression de mise en service. Se reporter également à «Quand nettoyer le filtre» ci-contre.

▲ AVERTISSEMENT

Risque de brûlures par les produits chimiques. Ne pas essayer de nettoyer le filtre ni le module filtrant avec de l'acide. Si le filtre doit être nettoyé à l'acide, demander à un professionnel en piscines compétent de s'en charger.

NOTA : Lorsque l'on désinfecte la pompe avec des nettoyeurs à base de polyhexaméthylène biquanide (PHMB), ne les utiliser que pour nettoyer le module filtrant. Lorsque l'on utilise des désinfectants au PHMB, le module filtrant DOIT être nettoyé plus fréquemment et plus complètement que pour une piscine utilisant du chlore. Suivre attentivement les instructions du fabricant. L'utilisation d'autres nettoyeurs avec des désinfectants de piscine au PHMB annulera la garantie du filtre.

NOTA : Éviter de laver les débris du filtre dans l'orifice de sortie. Déposer le bouchon de vidange et chasser les corps étrangers de l'intérieur du réservoir avant de déposer le module filtrant.

1. À l'aide d'un tuyau d'arrosage équipé d'un jet à débit doux, enlever autant de saleté que possible du module filtrant pendant qu'il est encore dans le réservoir. Attendre que le réservoir se vide complètement.
2. S'assurer que l'intérieur du réservoir est propre. Soulever le module et le laver à fond avec un tuyau souple en arrosant toute sa surface. Attendre que le module se vide.
3. Inspecter le module. Au besoin, répéter l'opération de lavage. Si le module filtrant est endommagé, le remplacer.

NOTA : Si cette méthode de nettoyage ne permet pas d'enlever tous les dépôts, se reporter à la section «Instructions de nettoyage spéciales» de cette Notice.

4. Inspecter et nettoyer le purgeur d'air qui se trouve en haut du module.
5. Suivre toutes les opérations indiquées aux sections «Remontage» et «Mise en service initiale» de cette Notice.

**Nettoyants spéciaux
recommandés pour
les filtres**

Filter Cleanse^{MD},
Great Lakes Biochemical

BIOGUARD Strip Kwik^{MD},
BIOGUARD KleenIt^{MD},
Softswim® Filter Cleaner,**
BIOLABS, Inc.

Filter Kleen^{MD},
Haviland Products Co.

BAQUA CLEAN^{MD}, **
Zeneca, Inc.

** DOIVENT être utilisés
lorsque l'on utilise un dés-
infectant à base de PHMB.

Instructions de nettoyage spéciales :

Utiliser cette méthode pour éliminer le tartre ou les huiles qui n'ont pas pu être enlevés du module lors du nettoyage avec un tuyau d'arrosage. S'assurer d'éliminer les produits chimiques usagés conformément à tous les codes applicables et aux décrets d'élimination des déchets. Utiliser un jet à débit doux pour minimiser les possibilités d'éclaboussures de l'eau.

▲ DANGER

Risque d'incendie ou d'explosion. Isoler le filtre du système avant de nettoyer les produits chimiques; bien rincer le filtre et tous les éléments avant de les remettre en service. Si l'on ne peut pas isoler le filtre, déposer le module filtrant et le nettoyer dans un autre endroit. Suivre les instructions du fabricant du produit chimique. Ne pas mélanger les produits chimiques, sauf lorsque ceci est indiqué par le fabricant. Ne pas permettre aux produits chimiques de nettoyage de se mélanger avec le chlore, les bromes, les autres produits chimiques ou les dispositifs de distribution de produits chimiques, ni de venir en contact avec ces produits.

Ne pas mélanger les produits chimiques, sauf lorsque ceci est indiqué par le fabricant. Ne pas permettre aux produits chimiques de nettoyage de se mélanger avec le chlore, les bromes, les autres produits chimiques ou les dispositifs de distribution de produits chimiques, ni de venir en contact avec ces produits.

1. Éponger ou pulvériser le module conformément aux instructions du fabricant de produits chimiques.
2. Si le trempage est requis, déposer le module du réservoir du filtre et l'immerger dans un réservoir séparé. Suivre attentivement les instructions du fabricant du nettoyeur.
3. Après avoir suivi les instructions du fabricant de produits chimiques, vider et rincer complètement le module. Éliminer les produits de nettoyage conformément aux codes municipaux et aux décrets concernant leur élimination.
4. Rincer l'intérieur du réservoir du filtre. Le vider complètement.
5. Suivre toutes les opérations figurant aux sections «Remontage» et «Mise en service initiale» de cette Notice.

INSPECTION DU SYSTÈME

Généralités :

Laver l'extérieur du filtre avec un détergent doux et de l'eau. Le rincer avec un tuyau d'arrosage.

NOTA : NE PAS utiliser de dissolvants pour nettoyer le filtre, car ils risquent d'endommager les éléments en plastique du système.

NOTA : Ouvrir le purgeur d'air et chasser tout l'air du filtre chaque fois que l'on arrête la pompe et qu'on la remet en marche.

Inspection hebdomadaire :

1. Enlever tous les débris accumulés dans le panier de l'écumoire de la piscine.
2. Arrêter la pompe; ouvrir le purgeur d'air pour dissiper toute la pression.
3. Déposer le couvercle de la cuve de la pompe et le joint; enlever tous les débris.
4. Vérifier la pompe à la recherche de fuites. En cas de fuites, se reporter à la Notice d'utilisation de la pompe.
5. Reposer le joint de la cuve et le couvercle. Serrer fermement le couvercle à la main. NE PAS utiliser de clé pour serrer le couvercle.
6. Redémarrer la pompe. Fermer le purgeur d'air du filtre dès qu'un jet continu d'eau s'en échappe.
7. Dès que le système fonctionne normalement, vérifier la pression du filtre. Si la pression du filtre est de 10 lb/po² (69 kPa) ou supérieure à la pression de mise en service initiale, le filtre doit être nettoyé. Se reporter à «Nettoyage du module» aux pages 7 et 8.

HIVÉRISATION

▲ AVERTISSEMENT Risque d'explosion. Purger le système avec de l'air comprimé risque de causer l'explosion des éléments et toute personne se tenant à proximité risque d'être gravement, voir mortellement blessée. N'utiliser qu'une soufflante à basse pression (inférieure à 5 lb/po²) et à volume élevé pour purger l'air de la pompe, du filtre ou de la tuyauterie.

NOTA : Protéger le filtre du gel. Laisser geler le filtre l'endommagera et annulera la garantie.

1. Nettoyer le filtre conformément aux instructions (se reporter aux pages 7 et 8) avant de le préparer pour l'hiver.
2. Arrêter la pompe.
3. Ouvrir le purgeur d'air; ouvrir tous les robinets du système.
4. Déposer les bouchons de vidange de la cuve de la pompe, de la pompe et du filtre.
5. Vider toutes les tuyauteries du système.
 - A. Vider par gravité le système aussi loin que possible.
 - B. Protéger les parties qui retiennent de l'eau avec un antigel au propylène glycol non toxique («antigel de véhicules de plaisance»).
6. Desserrer tous les écrous de raccordement de la tuyauterie (le cas échéant) pour vider toute l'eau du filtre. Laisser ces écrous de raccordement de la tuyauterie desserrés jusqu'à ce que l'on soit prêt à remettre le système en service.
7. Démontez le filtre (se reportant aux instructions figurant sous «Démontage du filtre» aux pages 6 et 7). Déposer le module filtrant et l'entreposer dans un endroit sec et chauffé.
8. Si le filtre est équipé d'un clapet antiretour à ressort interne en option (à la sortie du réservoir), l'ouvrir manuellement pour permettre à toute l'eau emprisonnée dans le réservoir de se vider.
9. Couvrir le filtre avec une feuille de plastique ou une bâche pour empêcher que l'eau pénètre dedans et qu'elle gèle.

NOTA

Il n'est pas possible de vider la tuyauterie de sortie du filtre par le trou de vidange du filtre. S'assurer que la tuyauterie de sortie est munie d'un bouchon de vidange séparé pour l'hiver.

GUIDE DE DIAGNOSTIC DES PANNES

1. Fonctionnement de courte durée :

NOTA : La durée de fonctionnement varie avec chaque installation et entre les différentes régions du pays. Les causes et remèdes suivants se rapportent à des durées de fonctionnement plus courtes que la normale dans la région où le filtre est installé.

- A. Valeur résiduelle de chlore trop basse; maintenir une valeur résiduelle adéquate (consulter un professionnel en piscines pour les recommandations).
- B. Débit trop élevé; limiter le débit à la capacité nominale du filtre (se reporter à la plaque d'instructions collée sur le filtre ou à Spécifications à la page 4).
- C. Filtre trop petit; poser un deuxième filtre.
- D. Le module filtrant est sale ou bouché; bien nettoyer le filtre (voir le n° 4 «Tissu de module filtrant» et «Nettoyage du module» aux pages 7 et 8).
- E. L'eau est chimiquement déséquilibrée; consulter un professionnel en piscines.
- F. Algues dans la piscine. Ajouter une forte dose de chlore ou d'algicide, selon les recommandations du fabricant de la piscine.

2. Peu de débit/pression élevée :

- A. Les éléments sont bouchés; bien nettoyer le filtre (se reporter aux pages 7 et 8).
- B. Le tuyau est bouché en aval du filtre; éliminer l'obstruction.
- C. Tuyauterie trop petite; utiliser des tuyaux de plus gros diamètre (consulter le dépositaire pour le diamètre à utiliser).
- D. Surface filtrante trop petite; poser un deuxième filtre (consulter le dépositaire pour les recommandations).
- E. Orifice de sortie du clapet obstrué (le cas échéant); éliminer l'obstruction pour permettre au clapet de s'ouvrir.

3. Peu de débit/pression basse :

- A. Pompe trop petite; consulter le dépositaire pour les recommandations.
- B. Pompe ou cuve de la pompe bouchées par les cheveux et la charpie; bien les nettoyer.

4. Tissu du module filtrant :

- A. Nettoyage insuffisant; suivre attentivement les instructions de nettoyage et bien nettoyer (se reporter aux pages 7 et 8).
- B. L'eau est chimiquement déséquilibrée; consulter un professionnel en piscines.

- C. Quantité d'air excessive dans le filtre. Purger l'air du réservoir et voir s'il n'y a pas de prises d'air dans la conduite d'aspiration de la pompe. Nettoyer le filtre de purge d'air du module avec un tuyau d'arrosage et une lance à débit d'eau doux.
- D. Le filtre est trop petit. Poser un deuxième filtre.
- E. L'eau de la piscine contient du fer. Se reporter à «Instructions de nettoyage spéciales» aux pages 7 et 8.
- F. Utilisation importante ou inadéquate de tablettes de chlore en poudre contenant un liant. Se reporter à «Instructions de nettoyage spéciales» aux pages 7 et 8.
- G. Algues dans la piscine. Ajouter une forte dose de chlore ou d'algicide, selon les recommandations du fabricant de la piscine.
- H. Utilisation de mauvais produits chimiques avec des désinfectants au PHMB. Remplacer le module filtrant.

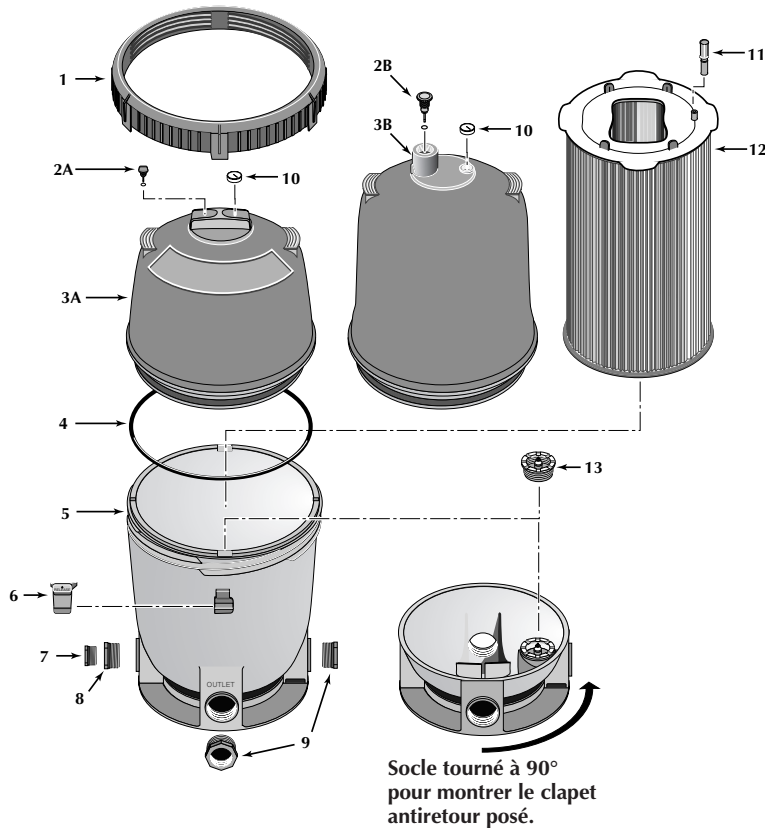
5. L'eau de la piscine n'est pas propre :

- A. La dose de chlore n'est pas suffisante; maintenir une valeur résiduelle adéquate (consulter un professionnel en piscines pour les recommandations).
- B. Le tissu du module filtrant est déchiré, bouché ou perforé; remplacer le module.
- C. Renouvellement inadéquat de l'eau; consulter le dépositaire pour vérifier si la dimension de l'équipement est suffisante en fonction de la piscine.
- D. La pompe est trop puissante et pompe trop. Réduire son débit.
- E. Le filtre est posé à l'envers. Le poser correctement.
- F. L'eau de la piscine contient du fer. Se reporter à «Instructions de nettoyage spéciales» aux pages 7 et 8.
- G. Utilisation importante ou inadéquate de tablettes de chlore en poudre contenant un liant. Se reporter à «Instructions de nettoyage spéciales» aux pages 7 et 8.
- H. Algues dans la piscine. Ajouter une forte dose de chlore ou d'algicide, selon les recommandations du fabricant de la piscine.

6. Les accessoires de la piscine cessent de fonctionner :

- A. Nettoyer le filtre et observer le rendement des accessoires.
- B. Si les accessoires fonctionnent mieux après que le filtre a été nettoyé, nettoyer le filtre plus fréquemment (c'est-à-dire, le nettoyer avant que la pression ait augmenté de moins de 10 lb/po² par rapport à la pression de démarrage).

PIÈCES DE RECHANGE



N ^{os} de Réf.	Désignation	Qté	Numéros de pièce
1	Bague Posi-Lok ^{MD*}	1	27001-0054
2A	Purgeur d'air	1	25010-0200
2B	Purgeur d'air (PLM300)	1	24206-0103S
3A	Moitié supérieure du réservoir*	1	27001-0020S
3B	Moitié supérieure du réservoir (PLM300)*	1	27001-0030S
4	Joint torique du réservoir	1	27001-0061S
5	Moitié inférieure du réservoir	1	27001-0009S
6	Verrou de sécurité de la bague	1	27001-0051
7	Bouchon de 1 1/2 pouce NPT y/c joint torique***	1	27001-0022S
8	Raccord adaptateur***	1	24900-0510
9	Réducteur de tuyau de 2 po x 1 1/2 po**	2	U78-820P
10	Manomètre***	1	15060-0000T
11	Purgeur d'air	1	24800-0121
12	Module filtrant (PLM100)	1	27002-0100S
12	Module filtrant (PLM125)	1	27002-0125S
12	Module filtrant (PLM150)	1	27002-0150S
12	Module filtrant (PLM175)	1	27002-0175S
12	Module filtrant (PLM200)	1	27002-0200S
12	Module filtrant (PLM300)	1	27002-0300S
13	Clapet antiretour à ressort**	1	27001-0130S
•	Ensemble des accessoires	1	27001-0140
•	Autocollant du logo	1	27001-0041
•	Autocollant d'avertissement	1	27001-0042
•	Autocollant des instructions de fonctionnement	1	27002-0043
•	Autocollant de la plaque signalétique (PLM100)	1	27002-0042
•	Autocollant de la plaque signalétique (PLM125)	1	27002-0048
•	Autocollant de la plaque signalétique (PLM150)	1	27002-0045
•	Autocollant de la plaque signalétique (PLM175)	1	27002-0049
•	Autocollant de la plaque signalétique (PLM200)	1	27002-0050
•	Autocollant de la plaque signalétique (PLM300)	1	32155-4164
•	Autocollant, « arrivée/inlet »***	1	32165-4010
•	Notice d'utilisation	1	S338
•	Ruban en téflon***	1	U97-58
•	Graisse pour joint torique***	1	34725-0013

• Pièces non illustrées.

* Comprend tous les autocollants et toutes les étiquettes.

** Équipement en option.

*** Expédiés dans le paquet des accessoires.

GARANTIE LIMITÉE STA-RITE

Les pompes, les filtres, les écumoirs, les appareils d'éclairage immergés (à l'exception des ampoules) et les raccords fabriqués par Sta-Rite sont garantis contre tout défaut de matériel et/ou de fabrication pendant un (1) an à compter de la date de la première installation.

Cette garantie couvre le consommateur acheteur-utilisateur initial (« Acheteur ») seulement. Sta-Rite Industries réparera ou remplacera, à sa discrétion, tout produit défectueux. L'acheteur devra payer les frais de main-d'œuvre et d'expédition liés au remplacement d'un produit couvert par la garantie. Toute demande visant le service de la garantie doit être faite par l'intermédiaire du concessionnaire installateur. La présente garantie ne couvre pas les produits endommagés à la suite d'une négligence, d'un usage abusif, d'une installation ou d'un entretien non conforme ou de toute autre circonstance hors du contrôle direct de Sta-Rite. Si les produits ne sont pas installés par un professionnel et en conformité avec les codes locaux, les garanties du fabricant seront nulles.

La présente garantie énonce l'obligation de Sta-Rite de même que le recours exclusif de l'acheteur à l'égard des produits défectueux.

LA SOCIÉTÉ STA-RITE NE PEUT ÊTRE TENUE RESPONSABLE D'AUCUN DOMMAGE INDIRECT, ACCIDENTEL OU FORTUIT DE QUELQUE NATURE QUE CE SOIT.

LES PRÉSENTES GARANTIES SONT EXCLUSIVES ET REMPLACENT TOUTES LES AUTRES GARANTIES EXPRESSES. LES GARANTIES IMPLICITES, Y COMPRIS SANS TOUTEFOIS S'Y LIMITER, LES GARANTIES IMPLICITES DE QUALITÉ MARCHANDE ET D'APPROPRIATION À UN USAGE PARTICULIER, NE DOIVENT PAS DÉPASSER LA DURÉE DES GARANTIES EXPRESSES STIPULÉES DANS LES PRÉSENTES.

Puisqu'il est interdit dans certaines provinces d'exclure ou de limiter les dommages fortuits ou indirects, ou de limiter la durée d'une garantie implicite, les limitations ou exclusions précisées ci-dessus peuvent ne pas s'appliquer. La présente garantie vous confère des droits légaux spécifiques qui s'ajoutent aux droits prévus dans la province où vous habitez, le cas échéant.

Cette garantie remplace toutes les garanties précédemment publiées.

Garanties particulières

(en vigueur à compter de la date d'installation)

Famille de produit	Garantie limitée	Exceptions
Filtres	1 an	Système à 3 réservoirs – 10 ans
Vannes de filtre	1 an	
Pompes	1 an	
Chauffe-eau	2 ans	*Installation commerciale – 1 an
Dispositifs de commande	1 an	
Systèmes hors-sol	1 an	
Appareils d'éclairage	1 an	Lampes et ampoules – 90 jours
Produits White	1 an	
Matériel d'entretien	90 jours	
Purgeur/pompes à usage général	90 jours	
Pièces de remplacement	90 jours	
Nettoyeurs : Lil Shark	1 an	
Nettoyeurs : Calpyso	1 an	
Nettoyeurs : Pool Shark	2 ans	Brosse et volets étanches - 1 an
Nettoyeurs : Great White	2 ans	

* Installations commerciales et en immeubles collectifs.

Conservez ce certificat de garantie dans un endroit sûr et accessible pour consultation.

Pour obtenir les données techniques du produit, communiquez avec l'installateur ou appelez Sta-Rite au numéro (262) 728-9181. Visitez notre site Web : www.staritepool.com

- Vous y trouverez une foule de renseignements sur les produits Sta-Rite mentionnés ci-dessus
- Vous trouverez l'adresse du concessionnaire Sta-Rite le plus près de chez-vous

ENREGISTREZ VOTRE CERTIFICAT DE GARANTIE CHEZ STA-RITE :

• Remplissez le formulaire d'enregistrement de garantie disponible sur le site www.staritepool.com en cliquant sur « Register Products », puis sur Sta-Rite Pool **OU**

• Remplissez le coupon ci-dessous et envoyez-le par la poste dans les 10 jours après l'installation à Sta-Rite, à l'attention du Service des garanties de piscine, 293 Wright St., Delavan, WI 53115

STA-RITE®



Carte d'enregistrement de garantie

Nom _____

Première installation Remplacement

Adresse _____

Années d'utilisation de la piscine
 moins de 1 an 1-3 3-5 5-10

Ville _____ Province _____ Code postal _____

Magasin où le produit a été acheté :

Date d'installation (ou d'achat) _____

Nom de la compagnie _____

Produit _____

Adresse _____

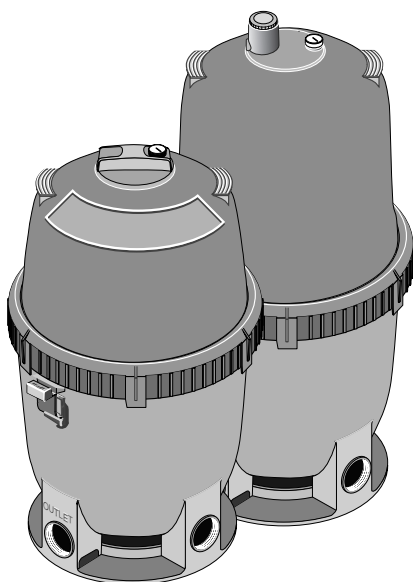
Numéro de modèle _____

Ville _____ Prov. _____ Code postal _____

STA-RITE®

Filtros de Medios Modulares Systemo 2™

MANUAL DEL USUARIO



INSTALACIÓN, OPERACIÓN Y PARTES

MODELOS

PLM100

PLM125

PLM150
PLM300

PLM175

PLM200



Este manual debe entregarse al usuario final de este filtro; su utilización reducirá el número de trabajos de servicio y las probabilidades de lesiones, y aumentará la vida del filtro.

Sta-Rite Pool/Spa Group

293 Wright Street, Delavan, WI 53115

Internacional: 262-728-5551, FAX: 262-728-7550

www.starite.com

Union City, TN • Delavan, WI • Mississauga, Ont. • Murrieta, CA

Patente E.U.A. No. 5190651 (Otras patentes pendientes)

© 2005, Sta-Rite Industries

S338 (Rev. 3/22/05)

E
N
G
L
I
S
H


F
R
A
N
Ç
A
I
S


E
S
P
A
Ñ
O
L


Contenido


Instrucciones de seguridad.....	2
Información General.....	3
Especificaciones.....	4
Instalación	5
Arranque inicial	6
Desarmado/Armado del filtro.....	6-7
Procedimiento para limpiar el módulo	7-8
Instrucciones especiales de limpieza	8
Inspección del sistema/Preparación para el invierno.....	9
Guía para solucionar problemas	10
Lista de partes de reparación	11
Garantía.....	12

LEA Y SIGA LAS INSTRUCCIONES DE SEGURIDAD

 Este es un símbolo de seguridad. Cuando vea este símbolo en su filtro o en este manual, busque una de las siguientes palabras y esté alerta de la probabilidad de lesión personal.

 **PELIGRO** advierte sobre riesgos que, si se ignoran, **ocasionarán** muerte, lesiones personales graves, o daños severos a la propiedad.

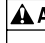
 **ADVERTENCIA** advierte sobre riesgos que, si se ignoran, **pueden** ocasionar muerte, lesiones personales graves, o daños severos a la propiedad.

 **PRECAUCIÓN** advierte sobre riesgos que, si se ignoran, **ocasionarán o pueden** ocasionar muerte, lesiones personales graves, o daños severos a la propiedad.

AVISO indica instrucciones especiales no relacionadas con riesgos.

Lea y siga al pie de la letra todas las instrucciones de seguridad contenidas en este manual o en el equipo.

Conserve las etiquetas de seguridad en buen estado; reemplace las etiquetas faltantes o dañadas.


 **ADVERTENCIA** **El equipo instalado o probado de manera incorrecta puede fallar, ocasionando lesiones severas o daños a la propiedad.** Cuando instale y opere el equipo, lea y siga las instrucciones contenidas en el manual del propietario. Pida a un experto en piscinas que realice todas las pruebas de presión.


1. No conecte el sistema a un sistema de agua público o a cualquier otra fuente externa de agua a presión.
2. Use el equipo solamente en una piscina o tina de hidromasaje.
3. El aire atrapado en el interior del sistema puede ocasionar una explosión. Antes de operar o probar el sistema, **ASEGÚRESE** que el sistema no tenga aire en su interior.

Antes de probar la presión, realice las siguientes revisiones de seguridad:

- Inspeccione todas las abrazaderas, los pernos, tapas, los anillos de retén y los accesorios del sistema antes de hacer la prueba.
- Libere todo el aire del interior del sistema.
- Apriete las tapas del colector de agua Sta-Rite a una torsión de 30 pies/libra (4.1 kg-cm).
- La presión del agua para la prueba debe ser menor a 25 libras/pulgada² (172 kPa).
- La temperatura del agua para la prueba debe ser menor a 100 °F (38 °C).
- Limite la prueba a 24 horas. Después de la prueba, inspeccione visualmente el sistema para asegurarse que está listo para operar. Quite la tapa del recolector de agua y vuélvala a apretar a mano.

AVISO: Estos parámetros aplican solamente a equipo Sta-Rite. Para otros equipos, consulte al fabricante.

 **ADVERTENCIA**



¡Presión peligrosa!
El tanque puede explotar.
Bajo ninguna circunstancia conectar el filtro a aire comprimido.

INFORMACIÓN GENERAL

- Si la piscina es nueva, límpiela lo mejor posible antes de llenarla y de operar el filtro. Los excesos de suciedad y las partículas grandes de material extraño contenidos en el sistema, pueden ocasionar daños severos en el filtro y la bomba.
- Cuando se tiene instalado un filtro de medios permanentes y está buenas condiciones de funcionamiento, el agua limpia es regresada a la piscina más rápido de lo que se contamina. Una piscina típica por lo regular requiere una semana para obtener y mantener la claridad de agua que su filtro le puede proporcionar.
- La presión máxima es de 50 libras/pulgada² (345 kPa). NO conectar el filtro a una toma de agua de la ciudad ni a un sistema particular de agua de pozo.

▲ ADVERTENCIA ;Presión peligrosa! Abra la válvula de alivio para extraer todo el aire del sistema antes de operar el sistema. NUNCA opere el filtro cuando tenga aire atrapado en el interior.

- El filtro de medios modulares Sta-Rite está diseñado para filtrar agua para piscinas y tinas de hidromasaje. Si la instalación es nueva, recomendamos:

1. Desarmar el filtro después de la primera limpieza.

▲ ADVERTENCIA ;Presión peligrosa! Para prevenir lesiones graves o daños severos a la propiedad, siga al pie de la letra el "Procedimiento para Desarmar/Armar el Filtro", Páginas 6 y 7.

2. Quitar y lavar con manguera los medios filtrantes para eliminar los contaminantes.

- Mantener el pH del agua entre 7.2 y 7.6.
- Antes de operar el filtro, revisar que el Aro Posi-Lok™ esté fijo en su sitio.
- Mantener el manómetro en buenas condiciones de funcionamiento. Si está dañado, reemplazarlo inmediatamente.
- Los intervalos de limpieza dependen del aumento de la presión, y no del tiempo de operación del filtro. Los intervalos normales de limpieza dependerán de las condiciones del agua de cada instalación.
- Consultar las normas locales para conocer los requisitos de desecho de aguas residuales.

AVISO: Algunos desinfectantes para piscinas pueden obstruir el módulo del filtro. Para alargar al máximo la vida del filtro y la duración de los ciclos, cuando limpie la piscina o el filtro, siga al pie de la letra las instrucciones del fabricante del desinfectante. De lo contrario, la cobertura de la garantía del módulo puede resultar afectada.

Cuándo limpiar el filtro

Por lo regular, el módulo del filtro debe limpiarse cuando la lectura del manómetro aumente 10 libras/pulgada² en relación a la presión que se obtuvo en el arranque inicial (registre la lectura inicial en la Sección "Información del Propietario", parte inferior derecha).

En algunas piscinas, accesorios tales como fuentes y limpiadores de piscinas pueden resultar notablemente afectados por la reducción normal del flujo a medida que el filtro se ensucia. En este caso, limpie el filtro con mayor frecuencia (es decir, cuando el aumento de la presión sea menor de 10 libras/pulgada²) para mantener el flujo deseado.

Información del Propietario

Número de Serie _____

Vendedor _____

Número de teléfono del vendedor _____

Fecha de compra _____

Fecha de instalación _____

Lectura del manómetro en el momento del arranque _____

▲ ADVERTENCIA



Riesgo de ahogo y caídas. Coloque el aparato lo suficientemente lejos de la piscina para que los niños no se puedan trepar y caer dentro de la piscina.

No permita que los niños se paren o jueguen sobre el filtro o la bomba.

ESPECIFICACIONES

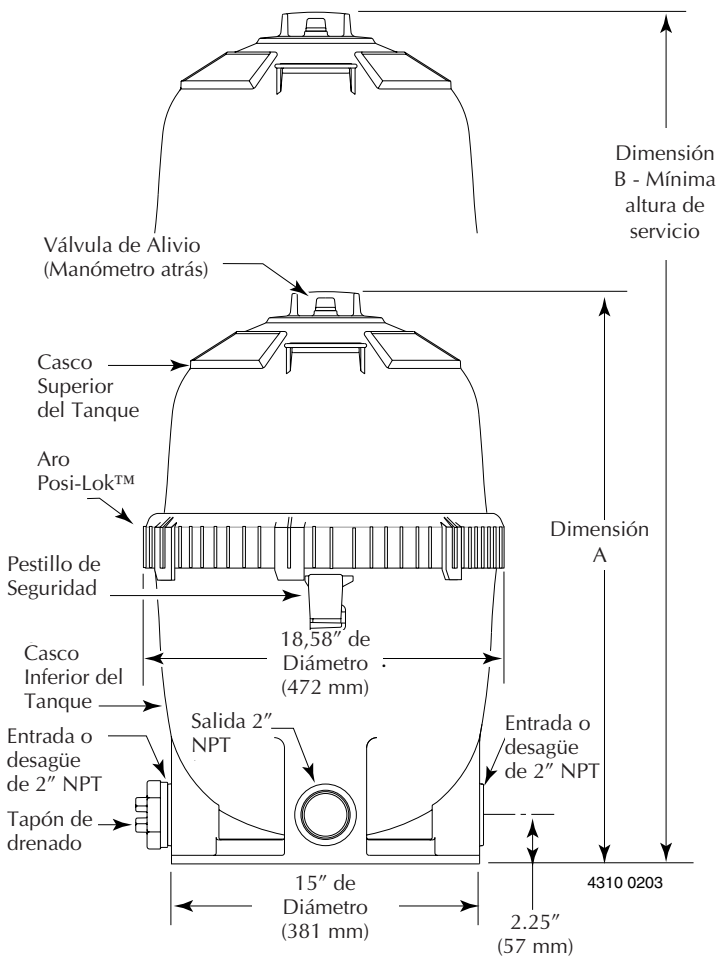


FIGURA 1A - Dimensiones en pulgadas (mm)

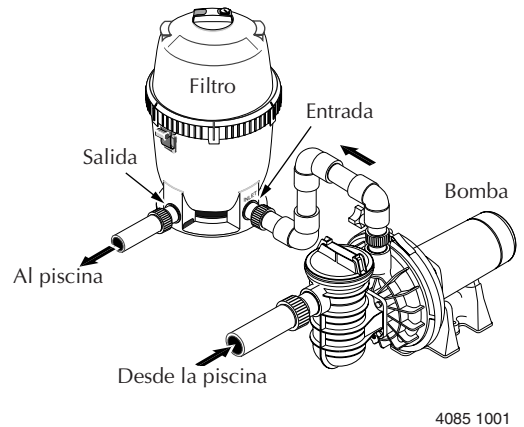


FIGURA 1B – Las conexiones del tubería

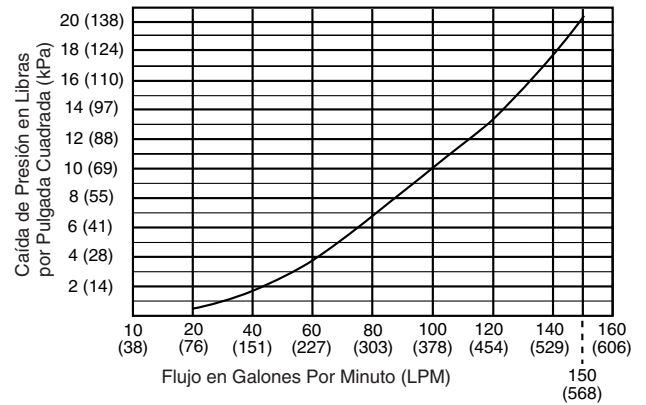


FIGURA 2 - Curva de Caída de Presión

Table 1 - Especificaciones del filtro

	Modelo No.					
	PLM100	PLM125	PLM150	PLM175	PLM200	PLM300
Área del filtrado, pies cuadrados (m ²)	100(9,3)	125(11,6)	150(14)	175(16,3)	200(18,6)	300(27,9)
Velocidad máxima de flujo, GPM (LPM)						
Commercial	37(140)	47(178)	56(212)	66(249)	75(284)	113(428)
Presión máxima de operación, Lib./pulg. ² (kPa)	50(345)	50(345)	50(345)	50(345)	50(345)	50(345)
Temperatura constante máxima del agua, °F(°C)	104(40°)	104(40°)	104(40°)	104(40°)	104(40°)	104(40°)
Dimensión A – Altura (mm)	27-3/4(705)	27-3/4(705)	27-3/4(705)	27-3/4(705)	27-3/4(705)	37-5/8(956)
Dimensión B – Mínima altura de servicio (mm)	38-1/2(978)	38-1/2(978)	38-1/2(978)	38-1/2(978)	38-1/2(978)	57(1,448)

INSTALACIÓN

La instalación del filtro debe hacerse sólo por personal calificado y autorizado.

El montaje del filtro debe:

- Tener protección contra condiciones ambientales y congelamiento.
- Tener suficiente espacio y luz para permitir fácil acceso para realizar trabajos de mantenimiento de rutina. (Ver Figura 1 para consultar los requisitos de espacio).
- Permitir que la bomba tenga ventilación y drenaje.
- Estar en una superficie razonablemente nivelada y con drenaje adecuado.

Tubería (Ver Figura 1B para las conexiones de tubería):

- La tubería debe cumplir con las normas de plomería y sanitarias locales y estatales.
- Use cinta de teflón, Plasto-Joint Stik^{®1} (proporcionado) o Silastic RTV #732[®] en todas las conexiones macho de los tubos y accesorios de plástico. **NO usar compuesto para tubos en tubos de plástico, ya que los tubos se pueden cuartear. No usar sellador en las uniones - seque las uniones antes de armarlas y apriételas a mano.**

- Soporte la tubería independientemente para prevenir deformaciones en el filtro.
- Los accesorios restringen el flujo; para obtener máxima eficiencia, use el menor número posible de accesorios.

AVISO: Dirija la tubería de salida (retorno) al puerto del filtro marcado "outlet" (salida) (consulte la Figura 1A). Dirija la tubería de entrada y desagüe a los otros dos puertos de 2" NPT que no están marcados. Estos dos puertos (entrada y desagüe) se pueden intercambiar para facilitar el trayecto más conveniente de la tubería. Después de haber conectado las tuberías de entrada y desagüe, aplique la calcomanía de entrada "inlet" en el puerto seleccionado para la tubería de entrada.

- Para facilitar los trabajos de mantenimiento, use acoplamientos Sta-Rite para conectar la tubería en los puertos de entrada y salida del filtro.
- Mantenga la tubería apretada y sin fugas: las fugas en la línea de succión de la bomba pueden ocasionar que el aire quede atrapado en el tanque del filtro o pérdida de cebado en la bomba; las fugas en la línea de descarga de la bomba pueden manifestarse como humedad o chorros de agua.
- **AVISO:** Si aprieta en exceso la tubería los puertos del filtro se pueden romper.

Válvulas:

- Instale las válvulas de ambos lados del filtro para aislar el filtro y facilitar el servicio de mantenimiento.

AVISO: Instale la calefacción adelante del filtro. Si la calefacción no tiene válvula check, instale una en la entrada de la calefacción para evitar que el agua caliente se regrese al filtro. Los módulos del filtro que se dañen por calentamiento excesivo invalidarán la garantía.

- Una válvula check instalada adelante la entrada del filtro evitará que los contaminantes regresen a la piscina.

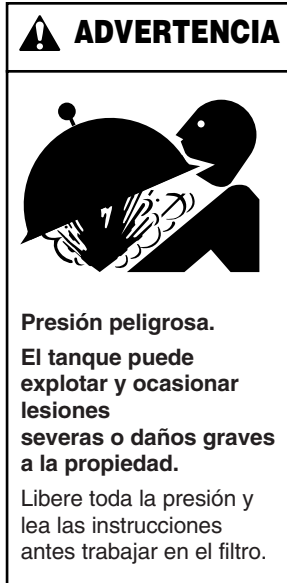
Conexiones eléctricas:

- **ASEGÚRESE** que todas las conexiones (incluyendo conexiones a tierra) cumplan con las normas locales y las normas del National Electrical Code (Código Nacional de Normas de Electricidad). Todo el cableado y conexiones de equipos adicionales, deben cumplir con las normas locales y las normas del National Electrical Code.

AVISO

Asegúrese que el filtro y toda la tubería puedan ser drenados para la preparación para el invierno. Ver "Preparación para el Invierno", Página 9.

¹ Lake Chemical Co., Chicago, IL



ARRANQUE INICIAL

⚠ Antes de iniciar el procedimiento de arranque, revise que la bomba esté apagada.

⚠ Bajo ninguna circunstancia opere estos filtros a más de 50 libras/pulgada² (345 kPa).

1. Trabe el Aro Posi-Lok™ firmemente en su lugar haciéndolo EN DIRECCIÓN DE LAS AGUJAS DEL RELOJ hasta que haga "clic" después del pasador de seguridad (ver Figura 3). Deje de girar tan pronto como se escuche el "clic" después del pasador. Es posible que el aro parezca estar un poco flojo, pero quedará apretado cuando se encienda la bomba y el filtro quede bajo presión.
2. Llene de agua el colector de agua de la bomba.
3. Abra la válvula de alivio que está arriba del filtro.
4. Abra las válvulas aisladoras.
5. Encienda la bomba para purgar el aire del sistema.
6. Cierre la válvula de alivio cuando el flujo de agua que sale de esta válvula sea uniforme.

AVISO: Las fugas alrededor del aro Posi-Lok™ se pueden deber a que el aro no está completamente asegurado. En este caso, proceda de la siguiente forma:

- A. Apague la bomba, cierre las válvulas aisladoras, y abra la válvula de alivio para liberar la presión atrapada en el interior del filtro.
- B. Quite el tapón de drenado y drene toda el agua contenida en el filtro.
- C. Empuje hacia abajo la parte superior del filtro para ajustar completamente el casco superior del tanque.
- D. Gire el Posi-Lok™ hacia la derecha hasta que quede asegurado detrás del pestillo de seguridad (ver Figura 3).
- E. Si el aro ya estaba asegurado, quite el aro y el casco superior del tanque. Inspeccione y limpie el anillo-O y todas las superficies de sellado. Vuelva a lubricar el anillo-O.

AVISO: Lubrique el anillo-O solamente con la grasa de silicón incluida o con otra grasa equivalente, ya que otros lubricantes pueden ocasionar que el anillo se hinche. NO lubrique el aro Posi-Lok™ ni la rosca del casco inferior del tanque, ya que puede ocasionar la acumulación de polvo y dificultar su limpieza.

Una vez que el filtro está funcionando, registre la lectura del manómetro en el manual del propietario para referencia futura.

AVISO: Si instala el filtro en una piscina nueva, después de aproximadamente 48 horas de operación desarme el filtro y elimine los desechos de yeso, partículas de polvo y suciedad, etc. (ver "Procedimiento para limpiar el Módulo", Páginas 7 y 8).

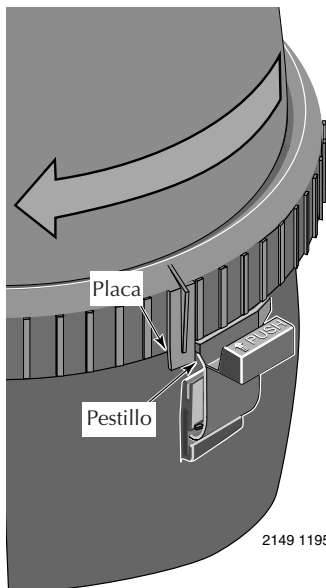


Figura 3 - Gire el Aro Posi-Lok™ hasta que la placa quede asegurada detrás del pestillo de seguridad.

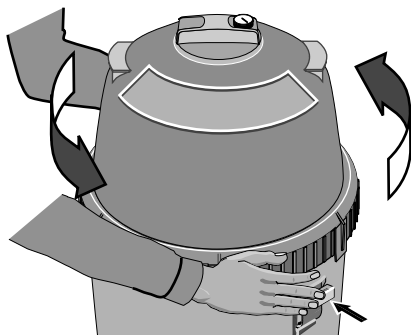


Figura 4 - Oprima el pestillo de seguridad para desatornillar el Aro Posi-Lok™.

PROCEDIMIENTO PARA DESARMAR/ARMAR EL FILTRO

⚠ ADVERTENCIA ¡Presión peligrosa! Antes de desarmar el filtro:

1. APAGUE LA BOMBA.
2. CIERRE las válvulas aisladoras.
3. ABRA la válvula de alivio y drene el accesorio.
4. Antes de aflojar el aro Posi-Lok™, ESPERE a que se libere toda la presión y se drene toda el agua del tanque y del sistema.

Desarmado:

1. Apague la bomba.
2. Cierre las válvulas aisladoras para evitar inundación.
3. Abra la válvula de alivio que está arriba del filtro para liberar toda la presión atrapada en el interior del tanque.

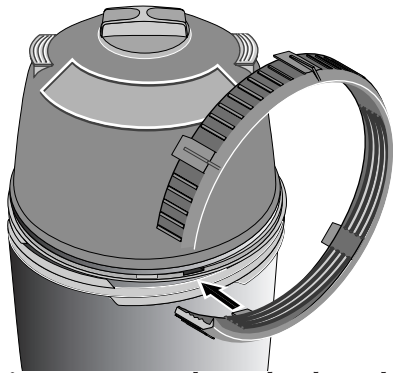


Figura 5 - Introduzca la placa del aro en la ranura del cuerpo del filtro.

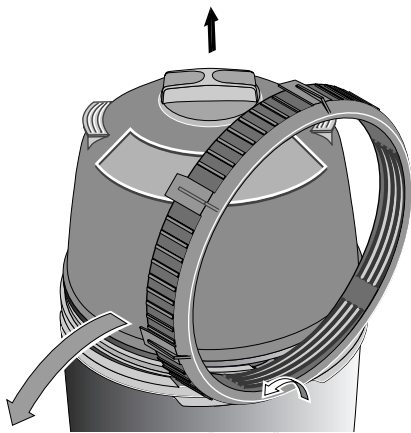


Figura 6 - Gire el aro hacia un lado para zafar la mitad superior del tanque.

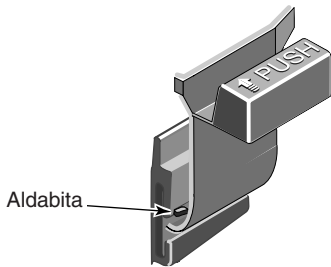


Figura 7 - Pestillo de Seguridad

Cuándo limpiar el filtro

Por lo regular, el módulo del filtro debe limpiarse cuando la lectura del manómetro aumente 10 libras/pulgada² en relación a la presión que se obtuvo en el arranque inicial (registre la lectura inicial en la Sección "Información del Propietario", parte inferior derecha).

En algunas piscinas, accesorios tales como fuentes y limpiadores de piscinas pueden resultar notablemente afectados por la reducción normal del flujo a medida que el filtro se ensucia. En este caso, limpie el filtro con mayor frecuencia (es decir, cuando el aumento de la presión sea menor de 10 libras/pulgada²) para mantener el flujo deseado.

AVISO: Asegúrese que las aguas residuales se desechen de conformidad con las normas y reglamentos locales.

4. Quite el tapón de drenado y drene toda el agua del tanque.
5. Quite el aro Posi-Lok™ de la siguiente forma:
 - a. Oprima el pestillo de seguridad (debajo del aro) para liberarlo, ver Figura 4.
 - b. Sujete el pestillo en posición liberada y gire el aro hacia la IZQUIERDA para quitarlo. Si se le dificulta girar el aro, golpéelo suavemente con un mazo de goma para eliminar la resistencia inicial.

AVISO: Para separar el casco del tanque, NO usar desarmadores ni instrumentos planos que puedan dañar la superficie del casco.

6. Use las placas localizadas en la parte inferior del aro Posi-Lok™ para separar las mitades inferior y superior del casco del tanque: introduzca una placa en la ranura localizada en la unión del tanque y gire el aro para separar las mitades del tanque. Ver Figuras 5 y 6.
7. Quite el anillo-O del casco superior del tanque. Revise que no tenga cortaduras, cuarteaduras, deformaciones o señales de agua; reemplace en caso necesario.

AVISO: Para evitar lesiones o daños, permita que el módulo del filtro se drene antes de levantarlo del tanque.

PESTILLO DE SEGURIDAD (Ver Figura 7)

El propósito del pestillo de seguridad es mantener el aro Posi-Lok™ debidamente asegurado. Si el pestillo está dañado, reemplácelo de la siguiente forma:

1. Oprima la aldabita ubicada en el interior del pestillo de seguridad y oprima o golpee el pestillo para sacarlo de la ranura "T" del tanque (ver Figura 7).

2. Embone el pestillo nuevo en su sitio.

AVISO: NO operar el filtro si el pestillo de seguridad está dañado, ya que el aro Posi-Lok™ no estará debidamente asegurado en su sitio.

Armado:

1. Inspeccione y limpie el tanque, la rosca del aro y la ranura del anillo-O. Reemplace las partes dañadas según se requiera.
2. Instale el filtro colocando el orificio en el fondo del cartucho del filtro sobre el orificio de salida del tanque. Empuje hacia abajo con firmeza para cerrar herméticamente.
3. Revise que el tubo de purga ubicado en la parte superior del módulo esté limpio y debidamente montado.

AVISO: Lubrique el anillo-O solamente con la grasa de silicón incluida o con otra grasa equivalente, ya que otros lubricantes pueden ocasionar que el anillo se hinche. NO lubrique el aro Posi-Lok™ ni la rosca del casco inferior del tanque, ya que puede ocasionar la acumulación de polvo y dificultar su limpieza.

4. Instale el aro tórico en la ranura para el aro tórico del armazón superior del tanque. Asegúrese que el anillo-O esté limpio y que no esté torcido.
5. Empuje el casco superior del tanque hacia el casco inferior para comprimir el anillo-O.
6. Coloque el aro Posi-Lok™ firmemente sobre la rosca del casco del tanque y gírelo hacia la DERECHA hasta que quede asegurado detrás del pestillo de seguridad.
7. Siga las instrucciones de la Sección "Arranque Inicial" de este manual.

PROCEDIMIENTO PARA LIMPIAR EL MÓDULO

Siga todos los pasos de la Sección "Desarmado" de este manual.

El módulo del filtro debe quitarse y limpiarse cuando la presión aumente 10 libras/pulgada² en relación a la presión que se obtuvo en el arranque inicial. Ver también "Cuándo limpiar el Filtro", recuadro a la izquierda.

⚠ ADVERTENCIA

Peligro de quemaduras por sustancia química. No intente limpiar el filtro o el módulo con ácido. Si el filtro requiere limpieza con ácido, pida a un experto en piscinas que realice el trabajo.

AVISO: Cuando limpie la piscina con limpiadores base PHMB (polihexametileno bicuanide), use limpiadores PHMB solamente para limpiar el módulo. Si usa higienizadores PHMB, el módulo del filtro DEBE limpiarse con mayor minuciosidad y con frecuencia que si se utilizara cloro. Siga las instrucciones del fabricante al pie de la letra. El uso de otro tipo de limpiadores con higienizadores PHMB para piscinas invalidará la garantía del filtro.

AVISO: Cuando lave el filtro, evite que la suciedad salga por el puerto de salida. Antes de quitar el módulo del filtro, quite el tapón de drenado y enjuague el filtro para extraer las partículas de suciedad.

1. Use una manguera equipada con boquilla de inyección suave para lavar lo más que se pueda toda la suciedad del módulo del filtro sin sacarlo del tanque.
2. Revise que el interior del tanque esté limpio. Levante y saque el módulo y lávelo con manguera. Enjuague toda la superficie del módulo. Permita que el módulo se drene.
3. Inspeccione el módulo. En caso necesario, vuélvalo a lavar. Si el módulo está dañado, reemplácelo.

AVISO: Si este método de limpieza no elimina todos los depósitos, vea la Sección "Instrucciones especiales de limpieza" de este manual.

4. Inspeccione y limpie el filtro del tubo de purga ubicado en la parte superior del módulo.
5. Siga todos los pasos de las Secciones "Armado" y "Arranque Inicial" de este manual.

Instrucciones especiales de limpieza:

Siga este procedimiento para eliminar óxido o aceite que no se pueden limpiar lavando el módulo con manguera. Asegúrese de desechar las sustancias químicas de acuerdo con todas las normas aplicables y los reglamentos de desecho de residuos. Use una boquilla con flujo suave para minimizar salpicaduras y rociaduras de agua.

⚠ DANGER

Riesgo de incendio o explosión. Aísle el filtro del sistema antes de limpiarlo con sustancias químicas; enjuague el filtro y sus componentes antes de volverlos a instalar. Si no puede aislar el filtro, quite los medios filtrantes y límpielos en otro lugar. Siga las instrucciones de uso del fabricante de la sustancia química. No mezcle sustancias químicas salvo como lo indique el fabricante. No permita que los limpiadores químicos se mezclen ni tengan contacto con cloro, brominas, otras sustancias químicas, ni con instrumentos abastecedores de sustancias químicas.

1. Aplique la sustancia química con esponja o rociador de acuerdo con las instrucciones del fabricante de la sustancia química.
2. Si requiere remojar el módulo, sáquelo del tanque del filtro y sumérjalo en un tanque por separado. Siga al pie de la letra las instrucciones del fabricante del limpiador.
3. Después de seguir todas las instrucciones del fabricante de la sustancia química, drene y enjuague completamente el módulo. Deseche todos los limpiadores de acuerdo con las normas locales y con los reglamentos para desecho.
4. Enjuague el interior del tanque del filtro. Drénelo completamente.
5. Siga las instrucciones de las Secciones "Armado" y "Arranque Inicial" de este manual.

Limpiadores especiales para filtros recomendados

Filter Cleanse™,
Great Lakes Biochemical

BIOGUARD Strip Kwik™,
BIOGUARD KleenIt™,
Softswim Filter Cleaner,**
BIOLABS, Inc.

Filter Kleen™,
Haviland Products Co.

BAQUA CLEAN™, **
Zeneca, Inc.

** DEBEN usarse con cualquier higienizador PHMB.

INSPECCIÓN DEL SISTEMA

General:

Lave el exterior del filtro con detergente suave y agua. Enjuague con manguera.

AVISO: NO usar solventes para limpiar el filtro; los solventes pueden dañar los componentes de plástico del sistema.

AVISO: Cada vez que apague y vuelva a encender la bomba, abra la válvula de purga y purgue todo el aire del sistema.

Inspección semanal:

1. Quite la suciedad de la canasta de basuras de la piscina.
2. Apague la bomba; abra la válvula de alivio para liberar toda la presión.
3. Quite la tapa y la canasta del colector de agua; limpie la suciedad.
4. Revise que la bomba no tenga fugas. En caso de existir fugas, consulte el manual del propietario de la bomba.
5. Vuelva a poner la canasta y la tapa del colector de agua. Apriete la tapa a mano. NO use una llave para tapas para apretarla.
6. Encienda la bomba. Cierre la válvula de alivio cuando el flujo de agua que sale de esta válvula sea uniforme.
7. Cuando el sistema recobre su funcionamiento normal, revise la presión del filtro. Si la presión del filtro aumenta 10 libras/pulgada² (69 kPa) o más en relación a la presión que se obtuvo en el arranque inicial, el filtro requiere limpieza. Ver "Procedimiento para limpiar el módulo", Páginas 7 y 8.

PREPARACIÓN PARA EL INVIERNO

⚠ ADVERTENCIA

Peligro de explosión. Purgar el sistema con aire comprimido puede ocasionar que los componentes exploten, con riesgo de que produzca lesiones severas o muerte a las personas cercanas. Cuando purgue la bomba, el filtro o la tubería con aire, use solamente un soplador de alto volumen a baja presión (menos de 5 libras/pulgada²).

AVISO: Proteja el filtro contra congelamiento. Si permite que el filtro se congele, éste se puede dañar y la garantía no será válida.

1. Antes de la preparación para el invierno, limpie el filtro como se indica en las instrucciones (Páginas 7 y 8).
2. Apague la bomba.
3. Abra la válvula de alivio; abra todas las válvulas del sistema.
4. Quite los tapones de drenado del recolector de agua, de la bomba y del filtro.
5. Drene la tubería del sistema.
 - A. Drene el sistema por gravedad lo más que pueda.
 - B. Proteja las áreas que retengan agua con anticongelante no tóxico de glicol propileno ("Anticongelante RV").
6. Afloje las tuercas de unión (en caso de usarse) para drenar toda el agua del interior del filtro. Deje aflojadas estas tuercas hasta que vuelva a encender el sistema.
7. Desarme el filtro (siga las instrucciones de la Sección "Desarmado del Filtro", Páginas 6 y 7). Quite el módulo del filtro y guárdelo en un lugar tibio y seco.
8. Si el filtro está equipado con una válvula check de resorte interna opcional, (en la salida del tanque), abra manualmente la válvula check para permitir la salida del agua que pueda estar atrapada en el interior del tanque.
9. Cubra el filtro con plástico o papel encerado para prevenir la entrada del agua y el congelamiento.

AVISO

La tubería de la salida del filtro no se vaciará a través del drenaje del filtro. Asegúrese que la tubería de la salida del filtro tenga su propio drenaje para la preparación para el invierno.

GUÍA PARA SOLUCIONAR PROBLEMAS

1. Ciclos cortos:

AVISO: La duración de los ciclos varía según cada instalación y dependiendo de la zona del país. Las siguientes causas y soluciones son para ciclos más cortos de lo normal según la zona en la que el filtro esté instalado.

- A. Residuo de cloro muy bajo; mantenga residuo de cloro apropiado (consulte a un experto en piscinas para que lo asista).
- B. Velocidad de flujo muy alta; restrinja el flujo a la capacidad del filtro indicada (ver placa de instrucciones ubicada en la cubierta del filtro o especificaciones de la Página 4).
- C. El filtro es muy chico; instale un filtro adicional.
- D. El módulo del filtro está sucio u obstruido; limpie perfectamente el filtro (ver No. 4 de esta Sección, "Tela del Módulo Obstruida", y "Procedimiento para limpiar el Módulo, Páginas 7 y 8).
- E. El agua no tiene el balance químico adecuado; consulte a un experto en piscinas.
- F. Algas en la piscina. Aplique una dosis alta de cloro o algicida según lo recomiende el fabricante de la piscina.

2. Bajo Flujo/Alta Presión:

- A. Elementos obstruidos; limpie perfectamente el filtro (ver Páginas 7 y 8).
- B. Tubería tapada en el tramo que está después del filtro; quite la obstrucción.
- C. Tubería muy chica; use tubería más grande (consulte al vendedor del filtro).
- D. Área de filtrado muy chica; instale un filtro auxiliar (consulte al vendedor del filtro para que lo asesore).
- E. La válvula de retención del orificio de salida está obstruida (si corresponde); quite la obstrucción para permitir la apertura de la válvula.

3. Bajo Flujo/Baja Presión:

- A. Bomba muy chica; consulte al vendedor para que lo asesore.
- B. Bomba obstruida o cabellos o pelusa atorados en el colector de agua; limpiar perfectamente.

4. Tela del Módulo Obstruida:

- A. Limpieza insuficiente; siga al pie de la letra las instrucciones de limpieza y limpie perfectamente (ver Páginas 7 y 8).
- B. El agua no tiene el balance químico apropiado; consulte a un técnico en servicio para piscinas.

- C. Exceso de aire en el filtro; ventile el aire del tanque y revise que la tubería de succión de la bomba no tenga fugas. Limpie el filtro de purga de aire en la unidad de módulo con una manguera y una boquilla de flujo suave.
- D. El filtro es muy chico; instale un filtro adicional.
- E. El agua de la piscina contiene hierro; ve "Instrucciones especiales de limpieza", Páginas 7 y 8.
- F. Aplicación excesiva o incorrecta de tabletas de cloro en polvo usando un aglomerante. Ver "Instrucciones especiales de limpieza", Páginas 7 y 8.
- G. Algas en la piscina. Aplique una dosis alta de cloro o algicida según lo recomiende el fabricante de la piscina.
- H. Uso incorrecto de sustancias químicas con higienizadores PHMB; reemplace el módulo del filtro.

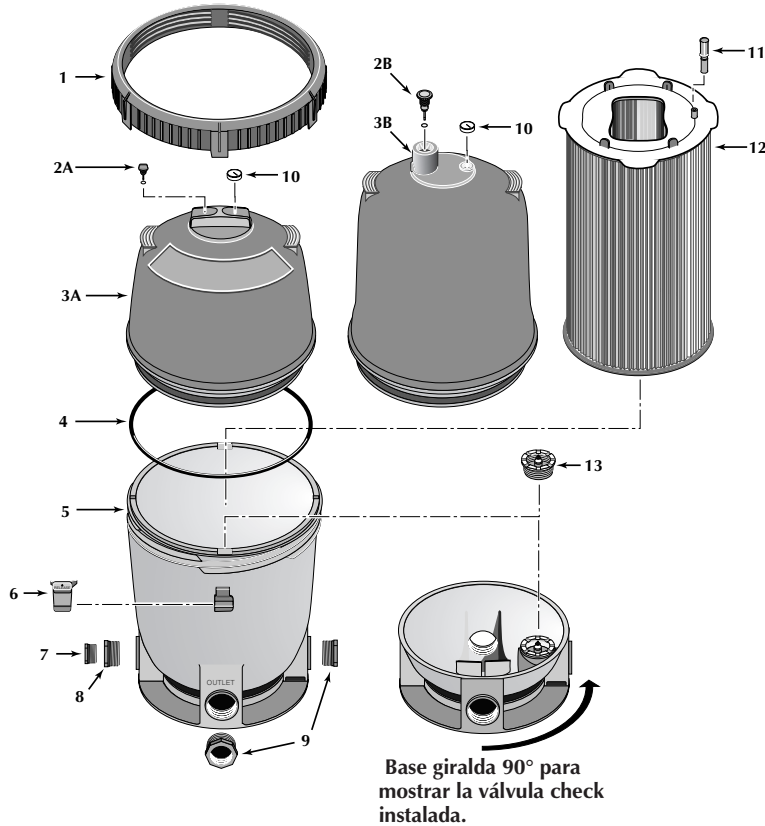
5. El agua de la piscina está sucia:

- A. Dosis de cloro insuficiente; mantenga el residuo de cloro apropiado (consulte a un técnico en servicio para piscinas para que lo asesore).
- B. La tela del módulo del filtro está rasgada, obstruida, o perforada; reemplace el módulo.
- C. Índice de rotación inadecuado; consulte al vendedor para verificar que el equipo sea del tamaño apropiado para su piscina.
- D. La bomba es muy grande y bombea en exceso; disminuya la velocidad de flujo.
- E. El filtro está instalado al revés; vuélvalo a instalar correctamente.
- F. El agua de la piscina contiene hierro; ve "Instrucciones especiales de limpieza", Páginas 7 y 8.
- G. Aplicación excesiva o incorrecta de tabletas de cloro en polvo usando un aglomerante. Ver "Instrucciones especiales de limpieza", Páginas 7 y 8.
- H. Algas en la piscina. Aplique una dosis alta de cloro o algicida según lo recomiende el fabricante de la piscina.

6. Los accesorios de la piscina dejan de funcionar:

- A. Limpie el filtro y observe el funcionamiento de los accesorios.
- B. Si los accesorios funcionan mejor después de limpiar el filtro, limpie el filtro con mayor frecuencia (es decir, limpie el filtro cuando el aumento de presión sea menos de 10 libras/pulgada²).

PARTES DE REPARACIÓN



No. de Clave	Descripción	Cantidad	Número de Parte
1	Aro Posi-Lok™*	1	27001-0054
2A	Válvula de alivio	1	25010-0200
2B	Válvula de alivio (PLM300)	1	24206-0103S
3A	Mitad superior del casco del tanque	1	27001-0020S
3B	Mitad superior del casco del tanque (PLM300)	1	27001-0030S
4	Aro tórico del tanque	1	27001-0061S
5	Mitad inferior del casco del tanque	1	27001-0009S
6	Pestillo de seguridad del aro	1	27001-0051
7	Tapón de 1-1/2" NPT con aro tórico***	1	27001-0022S
8	Adaptador***	1	24900-0510
9	Reductor de tubería de 2" x 1-1/2" **	2	U78-820P
10	Manómetro ***	1	15060-0000T
11	Tubo de purga	1	24800-0121
12	Módulo del filtro (PLM100)	1	27002-0100S
12	Módulo del filtro (PLM125)	1	27002-0125S
12	Módulo del filtro (PLM150)	1	27002-0150S
12	Módulo del filtro (PLM175)	1	27002-0175S
12	Módulo del filtro (PLM200)	1	27002-0200S
12	Módulo del filtro (PLM300)	1	27002-0300S
13	Válvula check de resorte **	1	27001-0130S
	• Paquete de accesorios	1	27001-0140
	• Calcomanía, logotipo	1	27001-0041
	• Calcomanía, advertencia	1	27001-0042
	• Calcomanía, instrucciones de operación	1	27002-0043
	• Calcomanía, nombre del fabricante (PLM100)	1	27002-0042
	• Calcomanía, nombre del fabricante (PLM125)	1	27002-0048
	• Calcomanía, nombre del fabricante (PLM150)	1	27002-0045
	• Calcomanía, nombre del fabricante (PLM175)	1	27002-0049
	• Calcomanía, nombre del fabricante (PLM200)	1	27002-0050
	• Calcomanía, nombre del fabricante (PLM300)	1	32155-4164
	• Calcomanía, entrada***	1	32165-4010
	• Manual del Usuario	1	S338
	• Cinta de teflón ***	1	U97-58
	• Grasa para aro tórico	1	34725-0013

• No ilustrado.

* Incluye todas las calcomanías y etiquetas.

** Equipo opcional.

*** Enviado en el paquete de accesorios.

GARANTÍA LIMITADA DE STA-RITE

Las bombas, los filtros, espumadores, las luces submarinas (excluyendo los focos), y los accesorios fabricados por Sta-Rite están cubiertos por una garantía contra defectos en material y/o mano de obra por un (1) año desde la fecha inicial de instalación.

Las garantías que anteceden sólo le corresponden al consumidor comprador inicial ("Comprador"). Sta-Rite Industries tendrá la opción de reparar o de reemplazar el producto defectuoso, a su solo juicio. Los Compradores deberán pagar todos los gastos de mano de obra y de envío necesarios para reemplazar el producto cubierto por esta garantía. Las solicitudes de servicio bajo garantía se deberán realizar a través del concesionario instalador. Esta garantía no se aplicará a ningún producto que haya sido sometido a negligencia, mal uso, instalación inadecuada o mal mantenimiento, o a cualquier otra circunstancia que no se encuentre bajo el control directo de Sta-Rite. Si este producto no ha sido instalado por un profesional conforme a los códigos locales, esta garantía y todas las garantías de los fabricantes quedarán invalidadas.

Esta garantía establece la obligación de Sta-Rite y el recurso exclusivo del Comprador con respecto a los productos defectuosos.

STA-RITE NO SE HARÁ RESPONSABLE DE NINGÚN DAÑO CONSECUENTE, INCIDENTAL O CONTINGENTE.

LAS GARANTÍAS QUE ANTECEDEN SON EXCLUSIVAS Y EN LUGAR DE TODA OTRA GARANTÍA EXPLÍCITA O IMPLÍCITA, INCLUYENDO PERO SIN LIMITARSE A LAS GARANTÍAS IMPLÍCITAS DE COMERCIALIZACIÓN E IDONEIDAD PARA UN FIN ESPECÍFICO, Y NO SE EXTENDERÁN MÁS ALLÁ DE LA DURACIÓN DE LAS GARANTÍAS EXPLÍCITAS CORRESPONDIENTES SUMINISTRADAS EN LA PRESENTE.

Algunos estados no permiten la exclusión o limitación de daños incidentales o consecuentes o de limitaciones de tiempo sobre garantías implícitas, de modo que es posible que las limitaciones o exclusiones que preceden no correspondan en su caso. Esta garantía le otorga derechos legales específicos y es posible que usted también tenga otros derechos que pueden variar de un estado al otro.

Reemplaza toda publicación anterior.

Garantías Específicas de los Productos (a partir de la fecha de su instalación)

Familia de productos	Garantía Limitada	Excepciones
Filtros	1 Año	Unidades de tanque del Sistema 3 - 10 años
Válvulas de filtro	1 Año	
Bombas	1 Año	
Calentadores	2 Años	*Uso comercial - 1 año
Controles	1 Año	
Sistemas sobre el suelo	1 Año	
Luces y nichos	1 Año	Lámparas y focos - 90 Días
Productos blancos	1 Año	
Equipo de mantenimiento	90 Días	
Bombas de drenaje/ uso general	90 Días	
Refacciones	90 Días	
Limpiadores: Lil Shark	1 Año	
Limpiadores: Calypso	1 Año	
Limpiadores: Pool Shark	2 Años	Pedales y charnelas selladoras - 1 año
Limpiadores: Great White	2 Años	

* Uso comercial y plurifamiliar.

Guarde este certificado de garantía en un lugar seguro y conveniente para su información.

Para obtener información técnica sobre este producto, comuníquese con el instalador o llame a Sta-Rite, al 262-728-9181.

Visite www.staritepool.com

- para obtener más información sobre los productos Sta-Rite indicados arriba
- para ubicar un concesionario de Sta-Rite cercano a usted

PARA CREAR UN REGISTRO DE SU GARANTÍA CON STA-RITE:

• Llene un registro de garantía en www.staritepool.com pulsando en "Registro de Productos" y seleccionando Albercas Sta-Rite **O**

• Llene la porción inferior y envíela por correo dentro de los 10 días de la instalación, a Sta-Rite, a la atención del Departamento de Garantías de Piscinas, 293 Wright St., Delavan, WI 53115.



Tarjeta de registro de garantía

Nombre _____

Nueva Instalación Reemplazo

Dirección _____

Años de servicio de la alberca menos de 1 1-3 3-5 5-10

Ciudad _____ Estado _____ Código postal/Zip _____

Este producto se compró en:

Fecha de instalación (o de compra) _____

Nombre de la empresa _____

Producto adquirido _____

Dirección _____

Número de modelo _____

Ciudad _____ Estado _____ Código postal/Zip _____